

Standard Elbows

Features:

- Exterior PVC coating thickness is a minimum 0.040"
- Interior urethane coating thickness is a minimum 0.002"
- Specialized corrosion resistant coating provided on threads
- Sizes available are ½" to 6"
- Available in 90, 60, 45, and 30 degree bends

Standards:

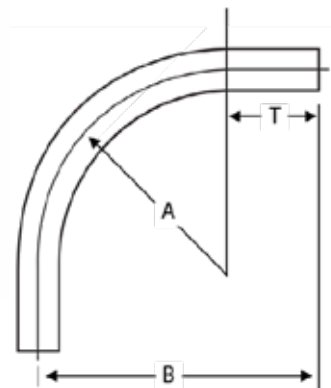
- UL/CUL listed in accordance to UL6 & ANSI C80.1 Standards
- UL/cUL listed rigid ferrous metal conduit with polyvinyl chloride coating verified for PVC adhesion performance
- Complies with NEMA RN1
- UL File Number E226472 (Steel)
- Alum UL E230584 (Aluminum)

Applications:

Calbond PVC Coated GRC 90° Standard Elbows are available in various degrees as required. All elbows are manufactured from Calbond PVC coated conduit and meet all applicable standards.

Options:

- Available in any degree of bend from 5° to 90°, and special radius



Standard Elbows

90° Standard Elbow



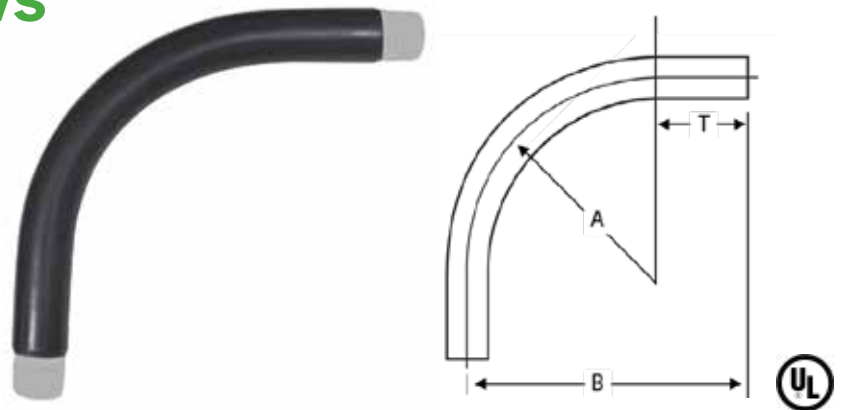
Part Number	Trade Size (in)	Metric Size (mm)	A Standard Radius (in)	B Offset (in)	T Tangent (in)	Weight per 100 (lb)
Steel						
PV0590EL00	½	16	4.250	6.000	1.700	70
PV0790EL00	¾	21	4.500	6.700	2.200	100
PV1090EL00	1	27	5.750	8.000	2.400	190
PV1290EL00	1¼	35	7.250	9.600	2.800	310
PV1590EL00	1½	41	8.250	10.600	2.600	400
PV2090EL00	2	53	9.500	12.000	3.500	640
PV2590EL00	2½	63	10.500	14.800	4.700	1,210
PV3090EL00	3	78	13.000	17.000	5.300	1,950
PV3590EL00	3½	91	15.000	20.900	6.100	2,630
PV4090EL00	4	103	16.000	21.000	6.500	3,280
PV5090EL00	5	129	24.000	32.000	11.200	6,750
PV6090EL00	6	155	30.000	41.000	12.100	10,510
Aluminum						
PA0590EL00	½	16	4.25	6.0	1.7	31
PA0790EL00	¾	21	4.50	6.7	2.2	42
PA1090EL00	1	27	5.75	8.0	2.4	76
PA1290EL00	1¼	35	7.25	9.6	2.8	118
PA1590EL00	1½	41	8.25	10.6	2.6	157
PA2090EL00	2	53	9.50	12.0	3.5	238
PA2590EL00	2½	63	10.50	14.8	4.7	449
PA3090EL00	3	78	13.00	17.0	5.3	707
PA3590EL00	3½	91	15.00	20.9	6.1	970
PA4090EL00	4	103	16.00	21.0	6.5	1,114
PA5090EL00	5	129	24.00	32.0	11.2	2,223
PA6090EL00	6	155	30.00	41.0	12.1	3,261

All dimensions are for informational purposes only *Tolerances +/- 5%



Elbows

Standard Elbows



Standard Elbows

Part Number	Trade Size (in)	WEIGHT (lb)	A (in)	B (in)	C (in)	T (in)	Cut Length	Box Qty
45° Rigid Elbows								
PV0545EL00	½	0.7	4.0	7.0	2.9	1.9	8.0	50
PV0745EL00	¾	0.9	4.5	7.4	3.0	2.0	9.0	50
PV1045EL00	1	1.6	5.8	9.5	4.0	2.7	10.0	25
PV1545EL00	1½	3.8	8.3	14.0	5.8	4.3	16.5	15
PV1245EL00	1¼	2.9	7.3	13.1	5.4	4.3	15.5	20
PV2045EL00	2	5.4	9.5	16.1	6.6	5.4	18.5	10
PV2545EL00	2½	10.8	10.5	19.0	7.9	6.8	22.5	50
PV3045EL00	3	14.7	13.0	20.5	8.5	6.7	23.5	35
PV3545EL00	3½	19.5	15.0	22.8	9.5	7.1	26.0	35
PV4045EL00	4	29.3	16.0	29.2	12.1	10.5	33.5	35
PV5045EL00	5	50.2	24.0	36.1	15.0	11.2	43.0	bulk
PV6045EL00	6	77.6	30.0	42.9	17.8	12.8	48.0	bulk
30° Rigid Elbows								
PV1230EL00	1¼	2.5	7.3	12.8	3.50	4.9	13.5	Contact Factory
PV1530EL00	1½	3.3	8.3	12.1	3.25	4.3	15.0	Contact Factory
PV2030EL00	2	5.0	9.5	15.4	4.11	5.7	17.0	Contact Factory
PV2530EL00	2½	9.1	10.5	17.3	4.66	6.4	19.5	Contact Factory
PV3030EL00	3	12.5	13.0	18.8	5.05	6.6	20.0	Contact Factory
PV3530EL00	3½	17.6	15.0	22.5	6.00	8.1	24.0	Contact Factory
PV4030EL00	4	23.2	16.0	25.4	6.75	9.3	27.0	Contact Factory
PV5030EL00	5	42.0	24.0	33.9	9.12	11.7	36.0	Contact Factory
PV6030EL00	6	61.3	30.0	30.0	10.09	12.2	40.0	Contact Factory



Elbows

Part Number	Trade Size (in)	WEIGHT (lb)	A (in)	B (in)	C (in)	T (in)	Cut Length	Box Qty
22½° Rigid Elbows								
PV1222EL00	1¼	2.2	7.3	11.6	2.32	4.6	12.0	Contact Factory
PV1522EL00	1½	3	8.3	13.0	2.95	5.1	13.5	Contact Factory
PV2022EL00	2	4.5	9.5	14.9	2.95	5.9	15.5	Contact Factory
PV2522EL00	2½	6.5	10.5	13.5	2.68	4.9	14.0	Contact Factory
PV3022EL00	3	11.1	13.0	17.2	3.42	6.4	17.8	Contact Factory
PV3522EL00	3½	17.6	15.0	23.2	4.62	9.1	24.0	Contact Factory
PV4022EL00	4	22.1	16.0	24.9	4.96	9.8	25.8	Contact Factory
PV5022EL00	5	38.5	24.0	31.9	6.35	11.8	33.0	Contact Factory
PV6022EL00	6	55.2	30.0	34.8	6.91	12.2	36.0	Contact Factory
15° Rigid Elbows								
PV1215EL00	1¼	2.1	7.3	11.3	1.53	4.8	11.5	Contact Factory
PV1515EL00	1½	2.8	8.3	12.8	1.69	5.4	13.0	Contact Factory
PV2015EL00	2	4.1	9.5	13.8	1.84	5.8	14.0	Contact Factory
PV2515EL00	2½	7.5	10.5	15.8	2.08	6.6	16.0	Contact Factory
PV3015EL00	3	10.2	13.0	16.0	2.14	6.4	16.3	Contact Factory
PV3515EL00	3½	13.9	15.0	18.6	2.49	7.5	19.0	Contact Factory
PV4015EL00	4	19.7	16.0	22.7	3.00	9.4	23.0	Contact Factory
PV5015EL00	5	32.7	24.0	27.6	3.64	10.9	28.0	Contact Factory
PV6015EL00	6	49.1	30.0	31.5	4.16	12.1	32.0	Contact Factory
11-¼° Rigid Elbows								
PV1211EL00	1¼	2.0	7.3	10.9	0.98	4.8	11.0	Contact Factory
PV1511EL00	1½	2.2	8.3	9.9	1.00	4.2	10.0	Contact Factory
PV2011EL00	2	3.8	9.5	12.9	1.29	5.6	12.0	Contact Factory
PV2511EL00	2½	7.2	10.5	15.4	1.56	6.7	15.5	Contact Factory
PV3011EL00	3	10.6	13.0	16.8	1.64	7.2	17.0	Contact Factory
PV3511EL00	3½	15.4	15.0	20.8	2.07	9.0	21.0	Contact Factory
PV4011EL00	4	18.0	16.0	20.8	2.08	8.9	21.0	Contact Factory
PV5011EL00	5	30.7	24.0	26.0	2.56	10.8	26.3	Contact Factory
PV6011EL00	6	46.0	30.0	29.7	2.91	12.1	30.0	Contact Factory

All dimensions are for informational purposes only *Tolerances +/- 5%



Special Radius Elbows

Features:

- Exterior PVC coating thickness is a minimum 0.040"
- Interior Urethane coating thickness is a minimum 0.002"
- Sizes available are ½" to 6"
- Available in 90, 60, 45, and 30 degree bends

Standards:

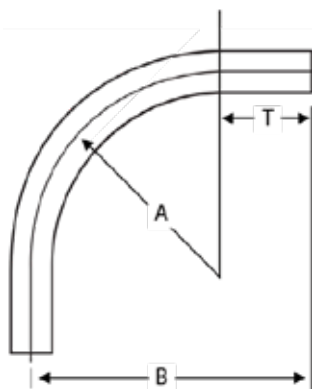
- UL/CUL listed in accordance to UL6 & ANSI C80.1 Standards
- UL/CUL listed rigid ferrous metal conduit with polyvinyl chloride coating verified for PVC adhesion performance
- Complies with NEMA RN1
- UL File # E226472

Applications:

Calbond Coated Elbows are available in special radius dimensions and in various degrees as required. All elbows are manufactured from Calbond PVC coated conduit and meet all applicable standards.

Options:

- Available in any degree of bend from 5° to 90°, and special radius



Elbows

Special Radius Elbows



Trade Size (in)	Radius															
	12 (in)				18 (in)				24 (in)				30 (in)			
	Part Number	B (in)	T (in)	Wt (lb)	Part Number	B (in)	T (in)	Wt (lb)	Part Number	B (in)	T (in)	Wt (lb)	Part Number	B (in)	T (in)	Wt (lb)
½	PV0512SW90	21	10	2.60	PV518SW90	28	11	3.6	PV0524SW90	35	11	4.1	PV530SW90	41	11	4.9
¾	PV0712SW90	21	10	3.50	PV0718SW90	28	11	4.7	PV0724SW90	35	11	5.5	PV0730SW90	41	11	6.5
1	PV1012SW90	21	10	5.00	PV1018SW90	28	11	6.0	PV1024SW90	35	11	8.0	PV1030SW90	41	11	9.0
1¼	PV1212SW90	21	10	6.00	PV1218SW90	28	11	9.0	PV1224SW90	35	11	11.0	PV1230SW90	41	11	12.0
1½	PV1512SW90	21	10	8.00	PV1518SW90	28	11	11.4	PV1524SW90	35	11	13.2	PV1530SW90	41	11	15.8
2					PV2018SW90	28	11	15.2	PV2024SW90	35	11	17.5	PV2030SW90	41	11	21.0
2½					PV2518SW90	28	11	24.3	PV2524SW90	35	11	28.0	PV2530SW90	41	11	33.6
3					PV3518SW90	28	11	32.9	PV3024SW90	35	11	38.0	PV3030SW90	41	11	4.9
3½					PV3518SW90	28	11	39.0	PV3524SW90	35	11	45.0	PV3530SW90	41	11	54.0
4									PV4024SW90	35	11	52.5	PV4030SW90	41	11	63.0

All dimensions are for informational purposes only *Tolerances +/- 5%

Trade Size (in)	Radius															
	36 (in)				42 (in)				48 (in)				60 (in)			
	Part Number	B (in)	T (in)	Wt (lb)	Part Number	B (in)	T (in)	Wt (lb)	Part Number	B (in)	T (in)	Wt (lb)	Part Number	B (in)	T (in)	Wt (lb)
½	PV0536SW90	47	11	5.5	PV0542SW90	64	12	6.2	PV0548SW90	60	12	6.9	PV560SW90	72	12	8.3
¾	PV0736SW90	47	11	7.3	PV0742SW90	64	12	8.2	PV0748SW90	60	12	9.1	PV0760SW90	72	12	11.0
1	PV1036SW90	47	11	10.0	PV1042SW90	64	12	12.0	PV1048SW90	60	12	13.0	PV1060SW90	72	12	15.0
1¼	PV1236SW90	47	11	14.0	PV1242SW90	64	12	16.0	PV1248SW90	60	12	18.0	PB1260SW90	72	12	22.0
1½	PV1536SW90	47	11	17.5	PV1542SW90	64	12	19.0	PV1548SW90	60	12	21.9	PV1560SW90	72	12	25.0
2	PV2036SW90	47	11	23.3	PV2042SW90	64	12	26.3	PV2048SW90	60	12	29.2	PV2060SW90	72	12	37.0
2½	PV2536SW90	47	11	37.3	PV542SW90	64	12	42.0	PV2548SW90	60	12	46.7	PV2560SW90	72	12	56.0
3	PV3036SW90	47	11	50.7	PV3042SW90	64	12	57.0	PV3048SW90	60	12	63.3	PV3060SW90	72	12	76.0
3½	PV3536SW90	47	11	60.0					PV3548SW90	60	12	75.0	PV3560SW90	72	12	90.0
4	PV4036SW90	47	11	70.0					PV4048SW90	60	12	87.5	PV4060SW90	72	12	105.0
5	PV5036SW90	47	11	93.3					PV5048SW90	60	12	116.7	PV5060SW90	72	12	140.0
6	PV6036SW90	47	11	123.3					PV6048SW90	60	12	156.0	PV6060SW90	72	12	185.0

All dimensions are for informational purposes only *Tolerances +/- 5%



Yard Elbows

Features:

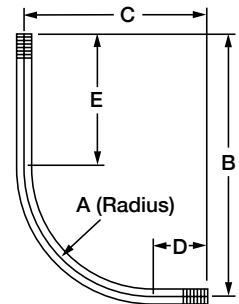
- Exterior PVC coating thickness is a minimum 0.040"
- Interior Urethane coating thickness is a minimum 0.002"
- NPT thread with end-cap on each end
- Sizes available are ½" to 4"

Standards:

- UL/CUL listed in accordance to UL6A & ANSI C80.5 Standards
- UL/cUL listed rigid ferrous metal conduit with polyvinyl chloride coating verified for PVC adhesion performance
- Complies with NEMA RN1
- UL File # E226472

Applications:

Calbond PVC Coated Yard Elbows are used in stub up applications and feature 40 mil PVC exterior coating with 2 mil urethane coating on the interior.



Part Number	Trade Size (in)	Metric Size (mm)	A Standard Radius (in)	B Offset (in)	T Tangent (in)	Weight per 100 (lb)
PV0590YL00	½	4.00	6.19	2.19	14.00	18.00
PV0790YL00	¾	4.50	6.75	2.25	13.50	18.00
PV1090YL00	1	5.75	8.63	2.88	12.25	18.00
PV1290YL00	1¼	7.25	10.25	3.25	12.25	19.25
PV1590YL00	1½	8.25	11.63	3.38	12.25	20.50
PV2090YL00	2	9.50	14.50	5.00	12.00	21.50
PV2590YL00	2½	10.50	16.00	5.50	12.00	22.50
PV3090YL00	3	13.00	19.25	6.25	12.00	25.00
PV3590YL00	3½	15.00	22.75	7.75	12.00	27.00
PV4090YL00	4	16.00	24.00	8.00	12.00	28.00

All dimensions are for informational purposes only *Tolerances +/- 5%

