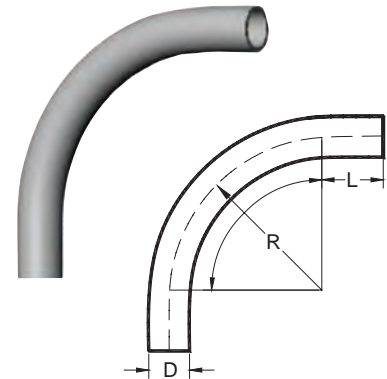


PVC Schedule 80 - Standard Radius Elbows (Plain End)

90° Elbows - Plain End*

Trade Size	Part Number	Unit Quantity	Diameter (D) (in)	Length (L) (in)	Radius (R) (in)
1/2	59012	50	0.840	1.500	4.00
3/4	59013	35	1.050	1.500	4.50
1	59014	20	1.315	1.875	5.75
1-1/4	59015	30	1.660	2.000	7.25
1-1/2	59016	30	1.900	2.000	8.25
2	59017	15	2.375	2.000	9.50
2-1/2	59018	8	2.875	3.000	10.50
3	59019	1	3.500	3.125	13.00
4	59021	1	4.500	3.375	16.00
5	59022	1	5.565	3.622	24.00
6	59023	1	6.625	3.740	30.00

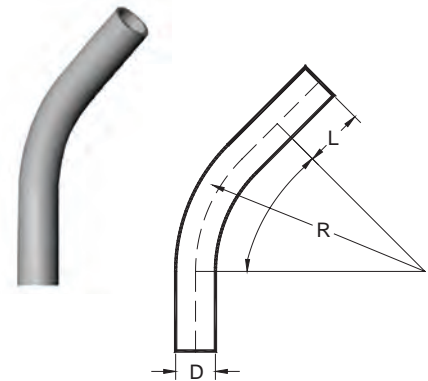
*Belled end available upon request
Third-party certified to UL651



45° Elbows - Plain End*

Trade Size	Part Number	Unit Quantity	Diameter (D) (in)	Length (L) (in)	Radius (R) (in)
1/2	59000	50	0.840	1.500	4.00
3/4	59001	25	1.050	1.500	4.50
1	59002	20	1.315	1.875	5.75
1-1/4	59003	25	1.660	2.000	7.25
1-1/2	59004	20	1.900	2.000	8.25
2	59005	10	2.375	2.000	9.50
2-1/2	59006	20	2.875	3.000	10.50
3	59007	1	3.500	3.125	13.00
4	59009	1	4.500	3.375	16.00
5	59010	1	5.565	3.625	24.00
6	59011	1	6.625	3.750	30.00

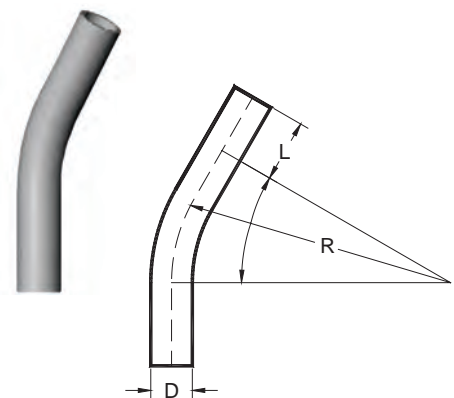
*Belled end available upon request
Third-party certified to UL651



30° Elbows - Plain End*

Trade Size	Part Number	Unit Quantity	Diameter (D) (in)	Length (L) (in)	Radius (R) (in)
1/2	59064	50	0.840	1.500	4.00
3/4	59065	25	1.050	1.500	4.50
1	59066	25	1.315	1.875	5.75
1-1/4	59067	20	1.660	2.000	7.25
1-1/2	59068	25	1.900	2.000	8.25
2	59069	20	2.375	2.000	9.50
2-1/2	59070	1	2.875	3.000	10.50
3	59071	1	3.500	3.125	13.00
4	59072	1	4.500	3.375	16.00
5	59073	1	5.565	3.625	24.00
6	59074	1	6.625	3.750	30.00

*Belled end available upon request
Third-party certified to UL651



PVC Conduit & Fittings are not available in all markets.

Please contact your Allied representative or distributor for details.

16100 S. Lathrop Ave., Harvey, IL 60426

Phone / 708.339.1610 • Toll-Free / 800.882.5543

NOTE: Special orders are non-cancelable, non-returnable and non-refundable

www.alliedeg.com