

ATX™ FELED Series Nonmetallic LED Luminaires

Standard or with Emergency Battery Backup

Increased Safety

ATEX/UKEX/IECEx: Zone 1 and 2 - 21 and 22 | II 2 GD | IP66 | IK10

Applications

- For use in locations where:
 - Hazardous areas are designated as Zone 1 and 2 – 21 and 22
 - A high degree of corrosion resistance is required
 - Protection against dirt, water and moisture is necessary
- Typical applications include:
 - Oil refineries
 - Petrochemical facilities
 - Food processing plants
 - Waste and water treatment plants
 - Underground tunnels
 - General manufacturing facilities
 - Hydrogen and Biofuels plants
 - LNG (Liquid Natural Gas) plants

Features

- Available in 5000K or 4000K Correlated Color Temperatures.
- Meets photobiological requirement for Risk Group 0 (RG0).
- Easy to retrofit in same mounting footprint as the Appleton FE Series nonmetallic fluorescent luminaires.
- Full range of lumen outputs, with light distribution equivalent to the Appleton FE Series fluorescent luminaires.
- Corrosion-resistant fiberglass reinforced polyester body and hinged polycarbonate lens.
- High impact resistance housing (20 Joules – IK10) from -30 °C to +55 °C (-22 °F to +131 °F) ambient temperature and wind profile for use in extreme offshore and onshore environments.
- Reported L70:

+25 °C (+77 °F)	Reported	>102,000
	Calculated	400,000
+55 °C (+131 °F)	Reported	>102,000
	Calculated	260,000

- Lightweight design, hinged cover with captive screws, and terminal block wiring for easy installation and maintenance.
- Contemporary, low profile design suitable for tight spaces.
- Standard screw-type terminal block can accept 4 mm²/6 mm² (flexible/rigid) wire.
- Field replaceable LED driver.
- Industry-leading thermal management for safe, reliable operation over wide temperature range.
- Universal, high efficiency, drivers cover voltage requirements for 120-277 Vac, 125-300 Vdc, 50/60 Hz +/-10%.
- High power factor electronic driver (>0.95).
- Standard 6 kV surge suppression.
- M20 plug or M25 plug provided.
- Latch assembly and elastomer gasket seals against water and dust ingress, IP66.
- Easily accessed for maintenance using Allen key or straight blade screwdriver.
- Central opening with unique patented release system to prevent damage.
- Can be horizontally or vertically mounted.
- Available in 3 hour emergency version, including built-in monthly self-test. Test results through multi-colored LED.
- Positive safety switch disconnects power to LED's and driver to allow maintenance in hazardous locations (emergency version).
- Ex e battery with plug-in connector.
- 5 year standard warranty.



FELED3 | FELED4



FELED5 | FELED7

Options

- 3 Hours Emergency/Battery Back-Up available ①;
 - Add suffix **-E** to the end of the catalog number.
 - Example: FELED5CBUSADE

Standard Materials

- Housing: fiberglass reinforced polyester
- Lens: polycarbonate
- Diffuser: polycarbonate
- Gasket: elastomer
- Internal reflector: highly reflective white polycarbonate (standard versions) or powder coated aluminum (emergency versions)
- Mounting accessories available in different materials such as gray painted aluminum, zinc plated steel, galvanized steel or 316 stainless steel

ATEX/IECEx Certifications and Compliances

- Certification Type: FELED30
 - Gas: Zones 1 and 2
 - Conforming to ATEX 2014/34/EU: II 2 G
 - Type of Protection: Ex eb mb IIC Gb
 - Temperature Class: T4
 - Dust: Zones 21 and 22
 - Conforming to ATEX 2014/34/EU: II 2 D
 - Type of Protection: Ex tb IIIC Db
 - Surface Temperature: +60 °C to +75 °C (+140 °F to +167 °F)
 - Ambient Temperature: -30 °C up to +55 °C (-22 °F up to +131 °F)
 - ATEX Certificate: INERIS 18 ATEX 0042X
 - UKEX Certificate: CML 21UKEX1154X
 - IECEx Certificate: IECEx INE 18.0039X
- Certification Type: FELED30 Emergency
 - Gas: Zones 1 and 2
 - Conforming to ATEX 2014/34/EU: II 2 G
 - Type of Protection: Ex db eb mb IIC Gb
 - Temperature Class: T4
 - Dust: Zones 21 and 22
 - Conforming to ATEX 2014/34/EU: II 2 D
 - Type of Protection: Ex tb IIIC Db
 - Surface Temperature: +60 °C to +70 °C (+140 °F to +158 °F)
 - Ambient Temperature: -20 °C up to +50 °C (-4 °F up to +122 °F)
 - ATEX Certificate: INERIS 18 ATEX 0042X
 - UKEX Certificate: CML 21UKEX1154X
 - IECEx Certificate: IECEx INE 18.0039X
- Standard and Emergency:
 - Index of Protection according EN/IEC 60529: IP66
 - Impact Resistance (shock): IK10
 - Photobiological Safety, IEC 62778 and IEC 62471: RG0

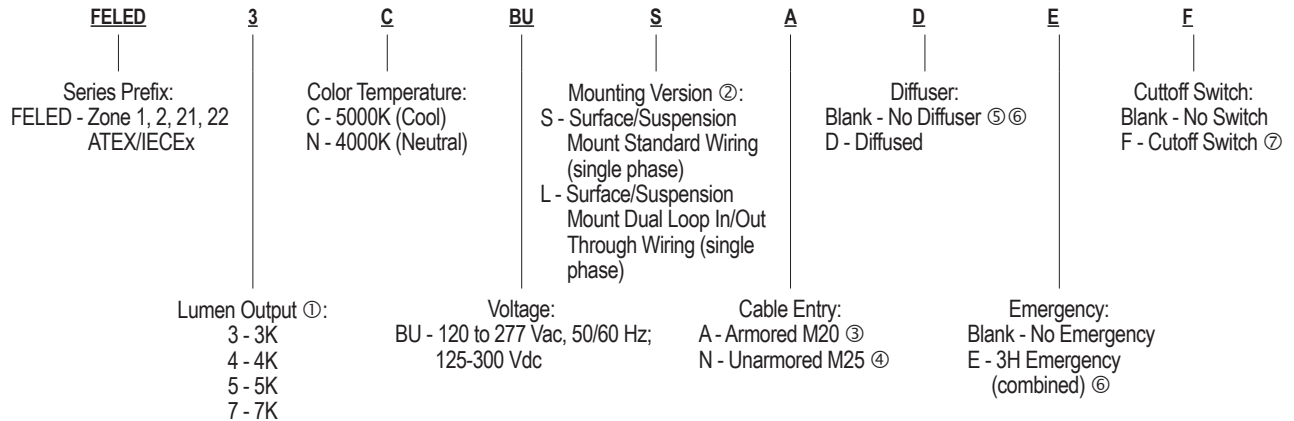
① Available for 3K and 5K lumen models only.

ATX™ FELED Series Nonmetallic LED Luminaires

Standard or with Emergency Battery Backup
Increased Safety

ATEX/UKEX/IECEX: Zone 1 and 2 - 21 and 22 | II 2 GD | IP66 | IK10

Order Using Catalog Numbering Guide — ATX™ FELED Series Nonmetallic LED Luminaires



Lumen Output (Efficacy) ①

Model	Fluorescent Equivalency	Light Distribution Pattern	CCT (Correlated Color Temperature)	CRI (Color Rendering Index)	Lumen Output	Efficacy (lm/W)	CCT	CRI	Lumen Output	Efficacy (lm/W)
Clear Globe with Internal Diffuser — Standard Mode										
FELED3	3 x 18W	Linear	4000K	≥80	3230	107	5000K	≥80	3345	109
FELED4	2 x 36W	Linear	4000K	>80	3428	78	5000K	>70	4196	95
FELED5	1 x 58W	Linear	4000K	≥80	5222	111	5000K	≥80	5394	115
FELED7	3 x 58W	Linear	4000K	>80	5878	78	5000K	≥80	7181	96
Clear Globe with Internal Diffuser — Emergency Model										
FELED3	3 x 18W	Linear	4000K	≥80	3194 592	89	5000K	≥80	3300 612	92
FELED5	1 x 58W	Linear	4000K	>80	5318 592	99	5000K	≥80	5493 612	103
Clear Globe and Textured Encapsulation Lens — Standard Mode										
FELED3	3 x 18W	Linear	4000K	≥80	3735	124	5000K	≥80	3858	128
FELED5	3 x 36W	Linear	4000K	≥80	6028	128	5000K	≥80	6212	133
Clear Globe and Textured Encapsulation Lens — Emergency Model										
FELED3	3 x 18W	Linear	4000K	≥80	3682 683	104	5000K	≥80	3803 705	107
FELED5	3 x 36W	Linear	4000K	≥80	6130 683	115	5000K	≥80	6332 705	119

① All lumen values are typical (tolerance +/- 10%).

② Standard and Loop In/Out cable entries provide 3 entries; 1 at one and 2 at the other end of the housing.

③ Must order armored cable glands separately. M20 entries are with brass earth continuity plate for armored cable.

④ Cable glands provided in luminaires with unarmored hub entries.

⑤ Clear Globe with textured encapsulation lens (No Diffuser).

⑥ Available for 3K and 5K lumen models only.

⑦ Select to have cutoff switch with standard model. Cutoff Switch included with Emergency option.

ATX™ FELED Series Nonmetallic LED Luminaires

Standard or with Emergency Battery Backup

Increased Safety

ATEX/UKEX/IECEX: Zone 1 and 2 - 21 and 22 | Ⓢ II 2 GD | IP66 | IK10

Electrical Specifications ①

Model	Voltage	Input Power (Watts)	Input Current (Amps)	Power Factor (PF)	Total Harmonic Distortion (THD)
Standard Model					
FELED3	230 Vac	30	0.14	>0.9	<20%
FELED4	230 Vac	44	0.195	>0.9	<20%
FELED5	230 Vac	47	0.205	>0.9	<20%
FELED7	230 Vac	75	0.333	>0.9	<20%
Emergency Model					
FELED3	230 Vac	35.5	0.17	>0.8	<20%
FELED5	230 Vac	54	0.24	>0.9	<20%

Temperature Codes

Model Type	Gas — T Rating				Dust — Surface T°			
	Ta = +40 °C (+104 °F)	Ta = +45 °C (+113 °F)	Ta = +50 °C (+122 °F)	Ta = +55 °C (+131 °F)	Ta = +40 °C (+104 °F)	Ta = +45 °C (+104 °F)	Ta = +50 °C (+122 °F)	Ta = +55 °C (+131 °F)
Standard Model								
FELED3	T5	T4	T4	T4	+52 °C (+126 °F)	+57 °C (+135 °F)	+62 °C (+144 °F)	+67 °C (+153 °F)
FELED4	T4	T4	T4	T4	+60 °C (+140 °F)	+65 °C (+140 °F)	+70 °C (+158 °F)	+75 °C (+167 °F)
FELED5	T5	T5	T4	T4	+52 °C (+126 °F)	+57 °C (+135 °F)	+62 °C (+144 °F)	+67 °C (+153 °F)
FELED7	T4	T4	T4	T4	+60 °C (+140 °F)	+65 °C (+140 °F)	+70 °C (+158 °F)	+75 °C (+167 °F)
Emergency Model								
FELED3 Emergency Model	T4	T4	T4	—	+49 °C (+120 °F)	+54 °C (+129 °F)	+59 °C (+138 °F)	—
FELED5 Emergency Model	T5	T5	T4	—	+50 °C (+122 °F)	+55 °C (+131 °F)	+60 °C (+140 °F)	—

“T” Numbers Represent the Maximum Temperature

“T” #	T1	T2	T3	T4	T5	T6
Temp. Range °C (°F)	+301 to +450 (+547 to +842)	+201 to +300 (+394 to +572)	+136 to +200 (+277 to +392)	+101 to +135 (+214 to +275)	+86 to +100 (+187 to +212)	+85 (+185)

① All values are typical (tolerance +/-10%). Same electrical ratings apply to each luminaire with different LED position, mounting versions and cable entries.

ATX™ FELED Series Nonmetallic LED Luminaires

Standard or with Emergency Battery Backup
Increased Safety

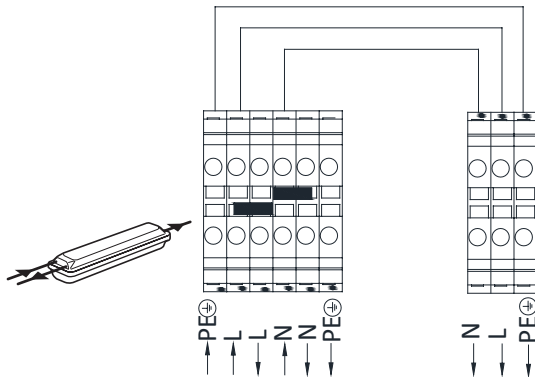
ATEX/UKEX/IECEX: Zone 1 and 2 - 21 and 22 | II 2 GD | IP66 | IK10

Wiring Diagrams

Standard Model

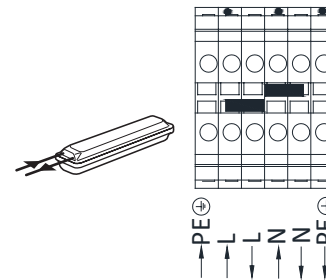
Version : L

Dual Loop In / Out — Through Wiring (Single Phase)
3 Entries, 1 at one end and 2 at the other



Version : S

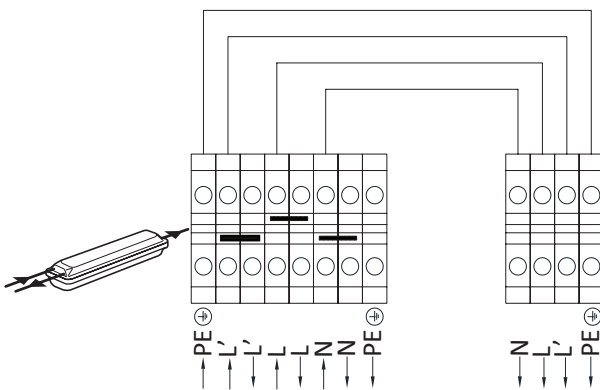
Standard (Single Phase)
3 Entries, 1 at one end and 2 at the other



Emergency Model

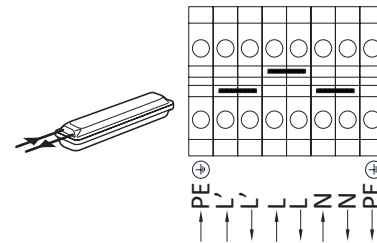
Version : L

Dual Loop In / Out — Through Wiring (Single Phase)
3 Entries, 1 at one end and 2 at the other



Version : S

Standard (Single Phase)
3 Entries, 1 at one end and 2 at the other



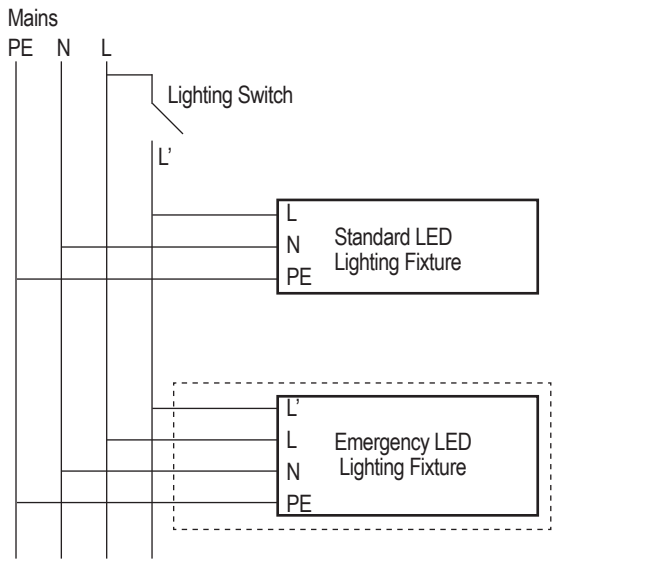
ATX™ FELED Series Nonmetallic LED Luminaires

Standard or with Emergency Battery Backup

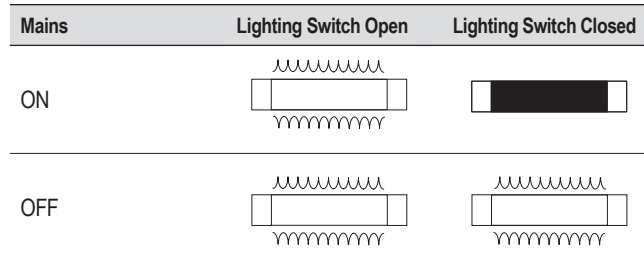
Increased Safety

ATEX/UKEX/IECEX: Zone 1 and 2 - 21 and 22 | Ⓢ II 2 GD | IP66 | IK10

Wiring Diagram



Emergency Function Diagram



LED Signals

Indicator Color	Timing	Function
Green	1 sec ON: 1 sec OFF	Normal charging ok, Battery not yet fully charged, No fault detected, Testing ok
Green	0.25 sec ON: 0.25 sec OFF	Functional / Duration Self-Test on-going
Green	Steady ON	Charging ok, Battery fully charged, No fault detected, Testing ok
Red	1 sec ON: 1 sec OFF	Fault condition. Installation issue. Battery is reverse, not connected or shorted. Functional test failure, full duration test failure
LED Indicators OFF, LED Array ON	LED Indicators Light OFF, Light ON	No AC, Emergency mode ON

Automatic Testing System (ATS) — Emergency Battery Backup Model — Functionality

At the completion of functional and full duration tests, and when AC power is present, LED indicators will display status of the emergency luminaire.

Functional Test	Full Duration Test
Starts within 24-48 hours after the initial power up of the luminaire	Starts within 5 to 26 days after the initial power up of the module
Occurs every 14 days after the initial functional test	Occurs once every 364 days after the initial duration test
Lasts for 30 seconds	Lasts for 180 minutes

At the completion of functional and full duration tests, LED indicator will display the status of the emergency luminaire when AC is present

Emergency Light Duration



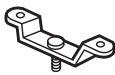
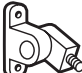


Lumen Level	Battery Capacity	Duration	Light Output
3K (FELED3)	6 Ah – 6V	180 minutes	5000K CCT: 612 lumens
5K (FELED5)			5000K CCT: 612 lumens

ATX™ FELED Series Nonmetallic LED Luminaires

Standard or with Emergency Battery Backup
Increased Safety

ATEX/UKEX/IECEX: Zone 1 and 2 - 21 and 22 | Ⓢ II 2 GD | IP66 | IK10

Accessories and Replacement Parts

	Description	Weight in kg (lbs)	Catalog Number
Replacement Lens			
	0.79 m (2.6 ft) clear polycarbonate external lens with gasket	0.8 (1.76)	Z00650
	1.39 m (4.6 ft) clear polycarbonate external lens with gasket	1.4 (3.09)	Z00651
	0.79 m (2.6 ft) internal diffuser lens	0.08 (0.18)	Z00962
	1.39 m (4.6 ft) internal diffuser lens	1.7 (3.75)	Z00965
Replacement Drivers and Inverter ①			
	FELED3 Replacement Driver (1 each)	0.95 (2.09)	APMZ050L135UD56
	FELED4 Replacement Driver (1 each)	0.95 (2.09)	APMZ050C135UD80
	FELED5 Replacement Driver (1 each)	0.95 (2.09)	APMZ050L135UD92
	FELED7 Replacement Driver (2 each)	0.95 (2.09)	APMZ050C135UD67
	FELED3 and FELED5 Emergency Model Inverter (BMM) (1 each)	0.65 (1.43)	BMMLED
Battery Pack ①			
	FELED3 and FELED5 Emergency 6V 6Ah Battery Pack (1 each)	0.73 (1.6)	BPLLED
Fuse Assembly ①			
	FELED3 and FELED5 Replacement Fuse Assembly (1 each)	0.02 (0.04)	APPFUSEZ1
Fixing Brackets for Surface Installation — Set of Two			
	Zinc plated steel	0.39 (0.85)	FEFBZ
Brackets for Surface Mounting — Set of Two			
	316 stainless steel	0.64 (1.4)	FESBS
Hinged Brackets for Adjusting Luminaire			
	Aluminum	0.75 (1.7)	FEHBA
	316 stainless steel	0.57 (1.25)	FEHBS
M8 Ring Bolts — Set of Two			
	Zinc plated steel	0.11 (0.2)	FERBM8Z
Half Clamps Brackets for Pole Mounting — Set of two			
	Diameter for 1-1/4" to 1-1/2" pole: 42 mm to 49 mm (1.65" to 1.93")		
	• Zinc plated steel	0.34 (0.7)	FEHC49Z
	• 316 stainless steel	0.34 (0.7)	FEHC49S
	Diameter for 2" pole: 60 mm (2.3")		
	• Zinc plated steel	0.48 (1.1)	FEHC60Z
	• 316 stainless steel	0.52 (1.2)	FEHC60S
Fall Prevention Kit — Safety chain retains fixture temporarily to ease installation			
	For M25 cable entry	0.76 (1.7)	FESCM25
	For M20 cable entry	0.76 (1.7)	FESCM20

① Replacement parts FELED luminaires purchased prior to 2019 may differ. Contact your local sales representative for more information.

LED Luminaires | Linear | Increased Safety | ATEX / IECEX

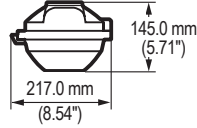
ATX™ FELED Series Nonmetallic LED Luminaires

Standard or with Emergency Battery Backup
Increased Safety

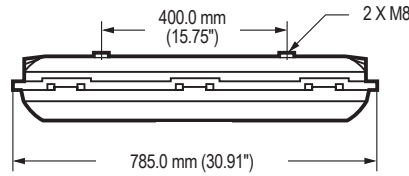
ATEX/UKEX/IECEX: Zone 1 and 2 - 21 and 22 | II 2 GD | IP66 | IK10

Luminaire Dimensions in Millimeters (Inches)

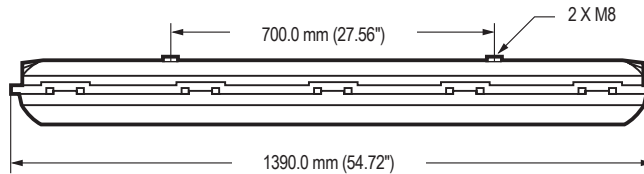
End View



Side View — 0.785 m (2.58 ft)



Side View — 1.39 m (4.56 ft) Version



Luminaire Specifications

Model	Length m (ft)	Weight in kg (lb)
Standard Model		
FELED3	0.785 (2.58)	4.65 (10.25)
FELED4		
FELED5	1.39 (4.56)	8.8 (19.4)
FELED7		
Emergency Model		
FELED3	0.785 (2.58)	6.15 (13.5)
FELED5	1.39 (4.56)	10.3 (22.7)

LED Luminaires | Linear | Increased Safety | ATEX | IECEX

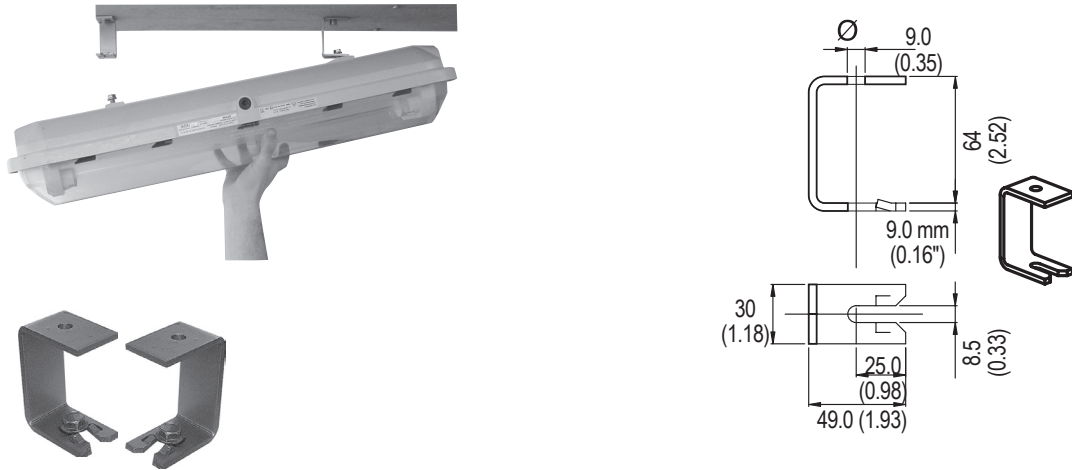
ATX™ FELED Series Nonmetallic LED Luminaires

Standard or with Emergency Battery Backup
Increased Safety

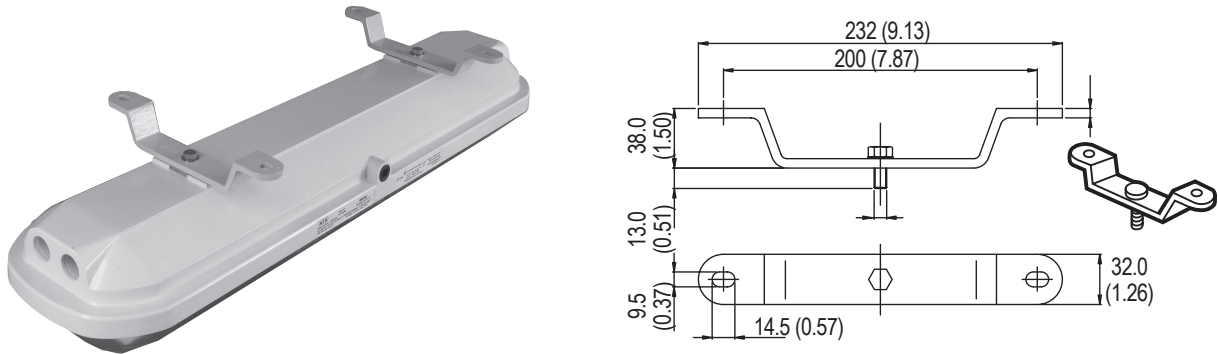
ATEX/UKEX/IECEX: Zone 1 and 2 - 21 and 22 | Ⓢ II 2 GD | IP66 | IK10

Mounting Options Dimensions in Millimeters (Inches)

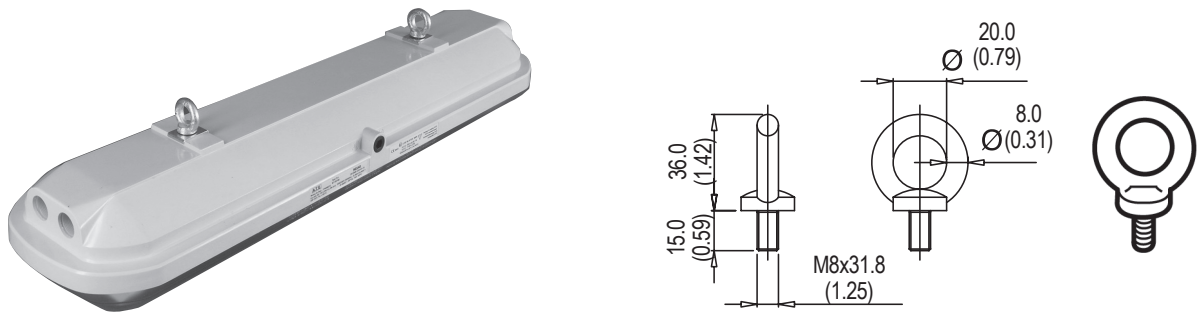
FEFBZ: zinc plated steel — Set of two quick fixing brackets for ease of surface mounting



FESBS: 316 stainless steel — Set of two brackets for surface mounting



FERBM8Z: zinc plated steel — Set of two ring bolts



LED Luminaires | Linear | Increased Safety | ATEX / IECEX

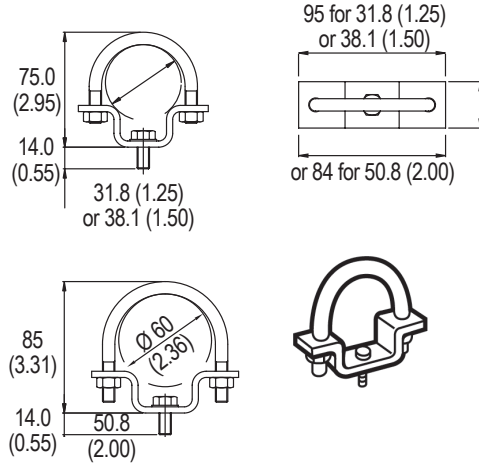
ATX™ FELED Series Nonmetallic LED Luminaires

Standard or with Emergency Battery Backup
Increased Safety

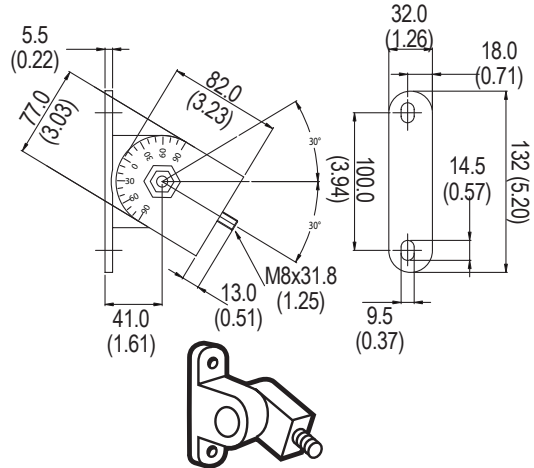
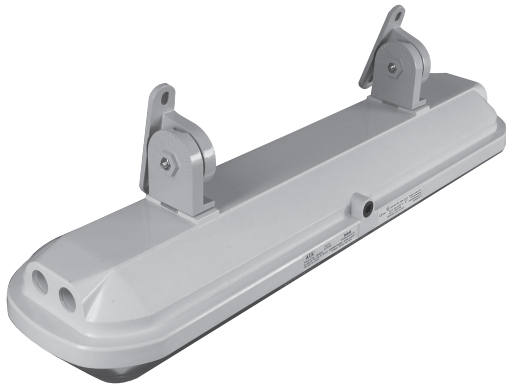
ATEX/UKEX/IECEX: Zone 1 and 2 - 21 and 22 | Ⓢ II 2 GD | IP66 | IK10

Mounting Options Dimensions in Millimeters (Inches)

FEHC49Z: zinc plated steel or FEHC49S: 316 stainless steel — Set of two clamps for pole diameter 42 mm to 49 mm (for 1-1/4" to 1-1/2" pole).
FEHC60Z: zinc plated steel or FEHC60S: 316 stainless steel — Set of two clamps for pole diameter 60 mm (for 2" pole).



FEHBA: aluminum or FEHBS: 316 stainless steel — Set of two hinged brackets for adjusting luminaire.



LED Luminaires | Linear | Increased Safety | ATEX / IECEx

ATX™ FELED Series Nonmetallic LED Luminaires

Standard or with Emergency Battery Backup
Increased Safety

ATEX/UKEX/IECEX: Zone 1 and 2 - 21 and 22 | II 2 GD | IP66 | IK10

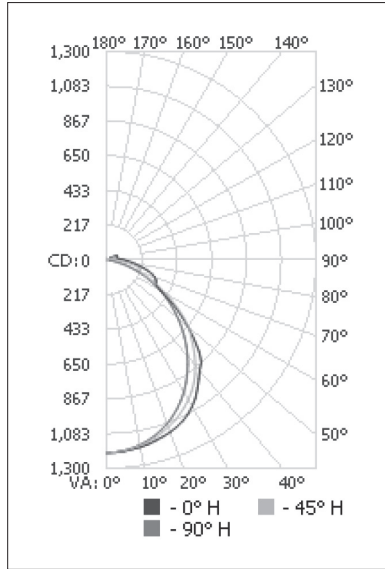
Photometric Data — DATA SHOWN IS ABSOLUTE

5000K CCT, With Diffuser

REPORT NUMBER: FELED3CBUxxD

Luminaire Lumens: 3,345

POLAR CANDELA DISTRIBUTION

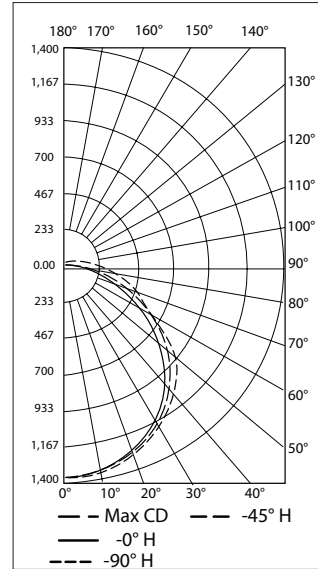


5000K CCT, With Diffuser

REPORT NUMBER: FELED4CBUxxD

Luminaire Lumens: 4,195

POLAR CANDELA DISTRIBUTION

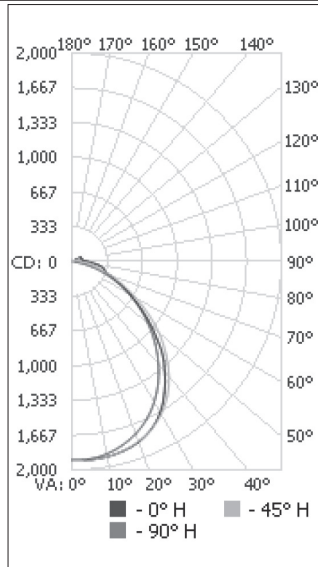


5000K CCT, With Diffuser

REPORT NUMBER: FELED5CBUxxD

Luminaire Lumens: 5,394

POLAR CANDELA DISTRIBUTION

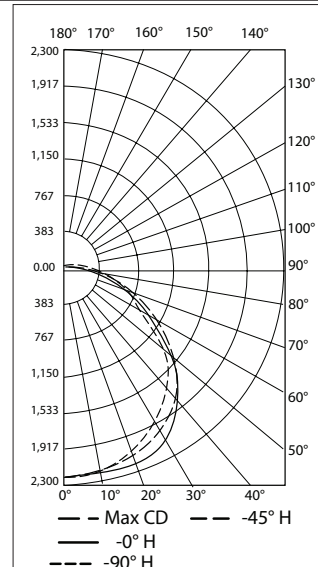


5000K CCT, With Diffuser

REPORT NUMBER: FELED7CBUxxD

Luminaire Lumens: 7,038

POLAR CANDELA DISTRIBUTION



LED Luminaires | Linear | Increased Safety | ATEX / IECEX