
CATALOG

Carlon®

PVC conduit, elbows and fittings



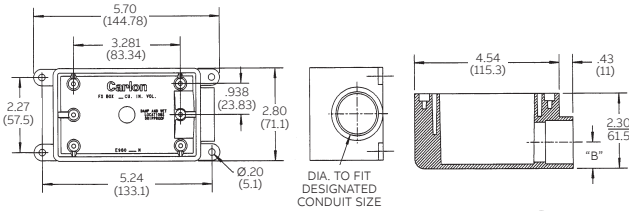
Thomas & Betts is now ABB Installation Products, but our long legacy of quality products and innovation remains the same. From connectors that wire buildings on Earth to cable ties that help put machines in space, we continue to work every day to make, market, design and sell products that provide a smarter, safer and more reliable flow of electricity, from source to socket.

Switch and junction boxes

Single-gang FS boxes

Features and benefits:

- For dead-end terminations
- All sizes take standard covers and accessories or devices
- Integral mounting feet provide easy mounting



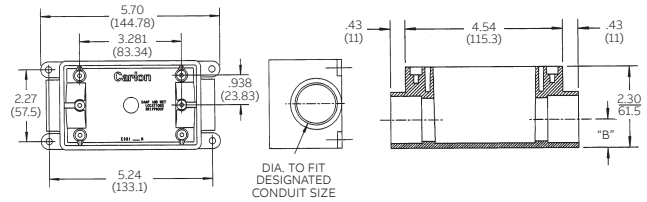
Type FSE

Cat. No.	Size (in.)	Vol. Cu. (in.)	Std. Ctn.
E980DFN	1/2	19	10
☛ C980DFN-CTN	1/2	18	12
E980EFN	3/4	19	10
☛ C980EFN-CTN	3/4	18	12
E980FFN	1	19	18
☛ C980FFN-CTN	1	18	8
E980FFN-CAR	1	19	10

☛ Canada only.

Features and benefits:

- For through terminations
- All sizes take standard covers and accessories or devices
- Integral mounting feet provide easy mounting



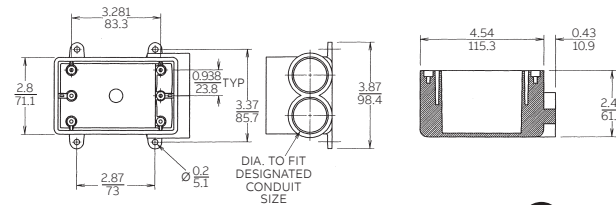
Type FSC

Cat. No.	Size (in.)	Vol. Cu. (in.)	Std. Ctn.
E981DFN	1/2	19	15
☛ C981DFN-CTN	1/2	18	12
E981EFN	3/4	19	15
☛ C981EFN-CTN	3/4	18	12
E981FFN	1	19	18
E981FFN-CAR	1	19	10
☛ C981FFN-CTN	1	18	8

☛ Canada only.

Features and benefits:

- For multiple dead-end circuit terminations or where additional support is required in stub-up applications
- All sizes take standard covers and accessories or devices
- Integral mounting feet provide easy mounting



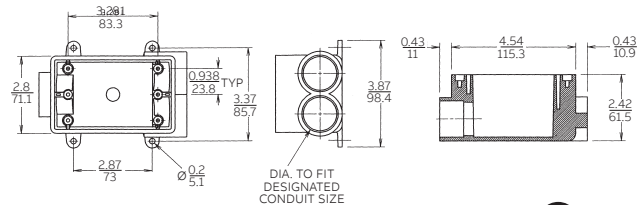
Type FSS

Cat. No.	Size (in.)	Vol. Cu. (in.)	Std. Ctn.
E982DFN	1/2	19	10
☛ C982DFN-CTN	1/2	18	12
E982EFN	3/4	19	10
☛ C982EFN-CTN	3/4	18	12
E982FFN	1	19	10
☛ C982FFN-CTN	1	18	8

☛ Canada only.

Features and benefits:

- For multiple through-circuit terminations or where additional support is required in stub-up applications
- All sizes take standard covers and accessories or devices
- Integral mounting feet provide easy mounting



Type FSCC

Cat. No.	Size (in.)	Vol. Cu. (in.)	Std. Ctn.
E979DFN-CAR	1/2	19	10
☛ C979DFN	1/2	18	15
E979EFN-CAR	3/4	19	10
☛ C979EFN	3/4	18	15
E979FFN	1	19	15
☛ C979FFN	1	18	15

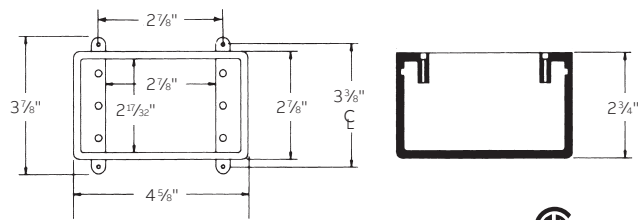
☛ Canada only.

Switch and junction boxes

Single-gang FD deep device boxes

Features and benefits:

- For terminations where hub requirements vary according to application – hubs easily made with flared wood bit or hole saw
- All sizes take standard covers and accessories or devices
- Integral mounting feet provide easy mounting



SP
LR31146
Where noted by

UL
LISTED
E11461

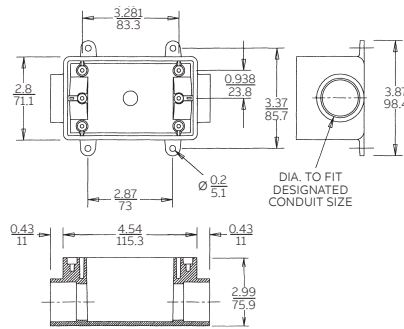
Type FD

Cat. No.	Size (in.)	Vol. Cu. (in.)	Std. Ctn.
E9801	N/A	25	10
CE9801-CTN	N/A	25	10
C9801-347	N/A	25	10

Canada only.

Features and benefits:

- For through terminations where large devices or additional wiring capacity is required
- All sizes take standard covers and accessories or devices
- Integral mounting feet provide easy mounting



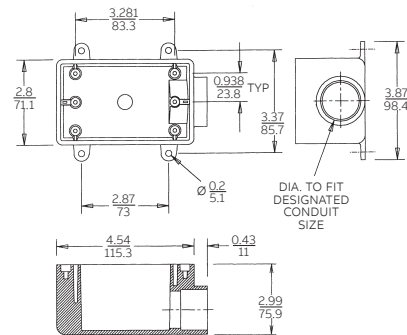
SP
LR31146
Where noted by

UL
LISTED
E11461

Type FDC

Cat. No.	Size (in.)	Vol. Cu. (in.)	Std. Ctn.
E9811DN	1/2	25	10
C9811DN	1/2	25	10
E9811EN	3/4	25	10
C9811EN	3/4	25	10
E9811FN	1	25	10
C9811FN	1	25	10

Canada only.



SP
LR31146
Where noted by

UL
LISTED
E11461

Type FDE

Cat. No.	Size (in.)	Vol. Cu. (in.)	Std. Ctn.
E9801DN	1/2	25	10
C9801DN	1/2	25	10
E9801EN	3/4	25	10
C9801EN	3/4	25	10
E9801FN	1	25	10
C9801FN	1	25	10

Canada only.

Features and benefits:

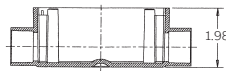
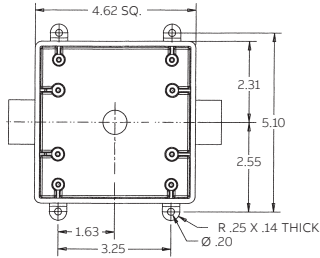
- For dead-end terminations where large devices or additional wiring capacity is required
- All sizes take standard covers and accessories or devices
- Integral mounting feet provide easy mounting

Switch and junction boxes

Two-gang FS boxes

Features and benefits:

- For through terminations where two devices or additional wiring capacity is required
- All sizes take standard covers and accessories or devices
- Integral mounting feet provide easy mounting



LR31146
Where noted by 🍁



E11461

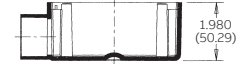
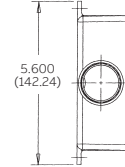
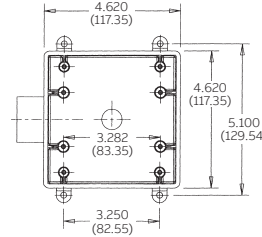
Type 2FSC

Cat. No.	Size (in.)	Vol. Cu. (in.)	Std. Ctn.
E9812D	1/2	32	10
🍁 CE9812D-CTN	1/2	32	10
E9812E	3/4	32	10
🍁 CE9812E-CTN	3/4	32	10
E9812F	1	32	10
🍁 C9812F	1	32	10

🍁 Canada only.

Features and benefits:

- For dead-end terminations where two devices or additional wiring capacity is required
- All sizes take standard covers and accessories or devices
- Integral mounting feet provide easy mounting



LR31146
Where noted by 🍁



E11461

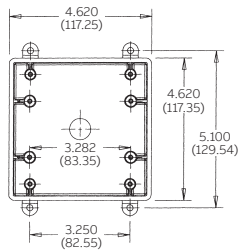
Type 2FSE

Cat. No.	Size (in.)	Vol. Cu. (in.)	Std. Ctn.
E9802D	1/2	32	10
🍁 CE9802D-CTN	1/2	32	10
E9802E	3/4	32	10
🍁 CE9802E-CTN	3/4	32	10
E9802F	1	32	10
C9802F	1	32	1

🍁 Canada only.

Features and benefits:

- For terminations where hub requirements vary according to application – hubs easily made with flared wood bit or hole saw
- All sizes take standard covers and accessories or devices
- Integral mounting feet provide easy mounting



LR31146
Where noted by 🍁



E11461

Type FS

Cat. No.	Size (in.)	Vol. Cu. (in.)	Std. Ctn.
E9802	N/A	32	10
🍁 CE9802	N/A	32	10



🍁 Canada only.

Blank covers

Features and benefits:

- Fits Carlon single-gang FS boxes
- Supplied with stainless steel mounting screws and gasket

Single-gang

Cat. No.	Color	Std. Ctn.	Std. Wt. (lbs.)
E980CN-CAR	Gray	12	1.60
E980CM-CAR	White	12	1.60

Features and benefits:

- Fits Carlon two-gang FS boxes, other non-metallic and metallic FS boxes
- Supplied with stainless steel mounting screws and gasket

Two-gang

Cat. No.	Color	Std. Ctn.	Std. Wt. (lbs.)
E9802CN-CAR	Gray	10	2.17

