

Code•Master™ Jr. LED Factory Sealed Luminaires

Explosionproof, Dust-Ignitionproof

For use with threaded metal conduit.

NEC/CEC:

Class I, Division 1, Groups B, C, D ①
Class II, Division 1, Groups E, F, G
Class III
Zone 1, Ex db IIB + H₂

NEC/CEC:

NEMA 3R, 4X
Suitable for use in Wet Locations
Marine Outside Type (Salt Water)
Suitable for use in Paint Spray Booths

Applications

- For use in chemical and petrochemical plants, such as manufacturers of plastics, paints and thinners, in refineries, and in other areas where ignitable vapors, dust, moisture and corrosive elements may be present.
- Suitable for outdoor saltwater locations and for other wet locations.
- Can be used in paint spray booths.

Features

- Fixtures operate safely in high ambient temperatures:
-40°C to +55°C (-40°F to +131°F) for CJLL1 and CJLL2;
-40°C to +40°C (-40°F to +104°F) for CJLL3.

Nominal Lumens	Incandescent Equivalent	HID Equivalent	Model Number
1,600	100W	50W	CJLL1
3,000	300W	70-100W	CJLL2
5,150	—	100-150W	CJLL3

- Acme double-lead threads speed installation of fixture into the mounting hood to make electrical connection.
- The only wiring required is attaching two wires to connection block in mounting hood. Also allows safe, easy servicing without disconnecting any wires.
- Heat- and impact-resistant globes have smooth dust-resistant exterior.
- Optional guards protect globes from damage. Secured to fixture with three stainless steel screws.
- Choice of mountings: pendant, ceiling, bracket and stanchion.
- Fiberglass-reinforced polyester reflectors, in standard dome or 30° angle styles, are ideal in installations where luminaire is subject to exceptionally severe corrosive atmospheres.
- All threaded joints are flame-tight.
- Universal, high efficient drivers cover voltage requirements for 120-277 Vac 50/60 Hz, 100 – 300 Vdc for CJLL1 and CJLL2; 120-277 Vac 50/60 Hz, 125 – 300 Vdc for CJLL3; 347-480 Vac 50/60 Hz for CJLL3.
- 6kV surge protection.

Options

- Aluminum guard available, purchase separately

Standard Materials

- Fixture housing, mounting hoods and guards: copperfree (4/10 of 1% max.) aluminum
- Globes: prismatic glass
- Reflectors: fiberglass reinforced polyester

Standard Finishes

- Fixture housing, guards and mounting hoods: epoxy power coat finish, electrostatically applied for complete, uniform corrosion protection



LED/AREA: NEC/CEC EXPLOSIONPROOF

APPLETON™

NEC/CEC Certifications and Compliances

- UL Standard: UL1598 (4th Ed.), UL1598A (1st Ed.), UL8750 (2nd Ed.), UL844 (13th Ed.)
- CSA Standard: CSA C22.2 No. 250.0-08, CSA C22.2 No. 137-18, CSA C22.2 No. 60079-0, and CSA C22.2 No. 60079-1
- UL Listed: E10444

Related Products

- Code•Master LED
- Code•Master Incandescent
- A-51™ LED

① For Group B applications, a Group B rated mounting hood must be used.

Code•Master™ Jr. LED Factory Sealed Luminaires

Explosionproof, Dust-Ignitionproof

For use with threaded metal conduit.

NEC/CEC:

Class I, Division 1, Groups B, C, D ①
 Class II, Division 1, Groups E, F, G
 Class III
 Zone 1, Ex db IIB + H₂

NEC/CEC:

NEMA 3R, 4X
 Suitable for use in Wet Locations
 Marine Outside Type (Salt Water)
 Suitable for use in Paint Spray Booths

Pendant
 One Hub
 3/4" NPT
CAP75



Ceiling
 Four Hubs
 Three Close-Up Plugs
 3/4" NPT
CAC75



Bracket
 Four Hubs
 Three Close-Up Plugs
 3/4" NPT
CALB75



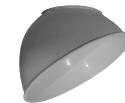
25° Stanchion
 One Hub
 1-1/4 or 1-1/2" NPT
CAS150
CAS150B



**Code•Master
 Jr. LED Fixture Unit
 CJLL**



**Optional
 Standard Dome
 KR2-ST**



**Optional
 Angle Reflector
 KR2-AN**



**Optional Aluminum
 Guard
 CJGU-15**



**Optional Three Way
 Exit Sign
 CJEXRN
 (not UL Listed)**

LED/AREA: NEC/CEC EXPLOSIONPROOF

APPLETON™

① When using the 25° Stanchion mounting hood in group B applications part number CAS-150B must be used.

Code•Master™ Jr. LED Factory Sealed Luminaires

Explosionproof, Dust-Ignitionproof

For use with threaded metal conduit.

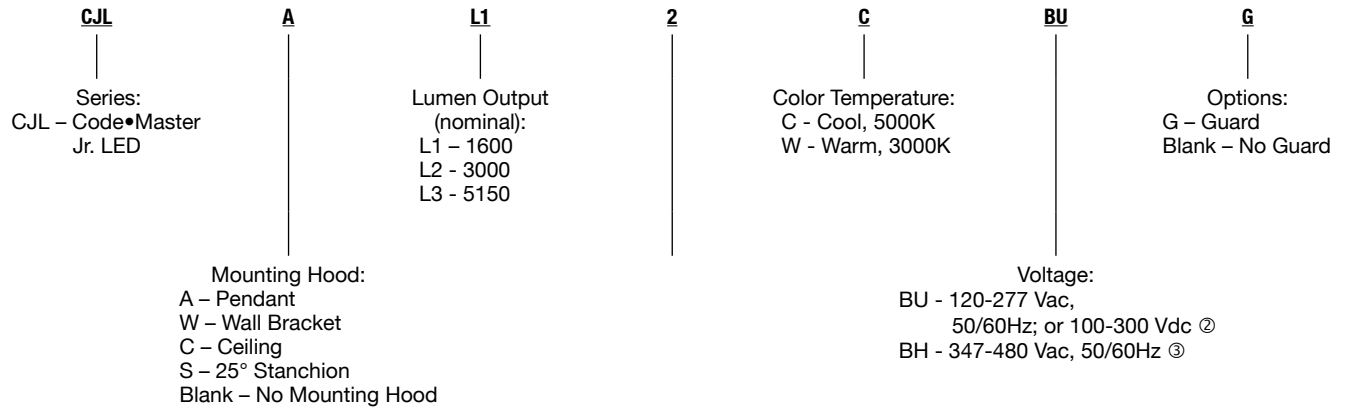
NEC/CEC:

Class I, Division 1, Groups B, C, D ①
 Class II, Division 1, Groups E, F, G
 Class III
 Zone 1, Ex db IIB + H₂

NEC/CEC:

NEMA 3R, 4X
 Suitable for use in Wet Locations
 Marine Outside Type (Salt Water)
 Suitable for use in Paint Spray Booths

Order using catalog numbering guides below or select catalog number from tables on following pages.



NEC/CEC Temperature Codes

Model	Use Wire Supply °C (°F)	Ambient Temperature °C (°F)	Class I, Division 1, Groups B, C and D	Class II, Division 1, Groups E, F and G
CJLL1	90 (194)	40 (104) 55 (131)	T6	T6
CJLL2	90 (194)	40 (104) 55 (131)	T6	T6
CJLL3	90 (194)	40 (104)	T6	T6

“T” Numbers Represent the Maximum External Temperature for Class I, Division 1 Locations and Maximum Surface Temperature Under Dust Blanket for Class II, Division 1 Locations.

“T” Number	T1	350	325	T2	T2A	T2B	T2C	T2D	T3	T3A	T3B	T3	T4	T4A	T5	T6
Temp Range (°C)	351- 450	326- 350	301- 325	281- 300	261- 280	231- 260	216- 230	201- 215	181- 200	166- 180	161- 165	136- 160	121- 135	101- 120	86- 100	85
Temp Range (°F)	664- 842	619- 662	574- 617	538- 572	502- 536	448- 500	421- 446	394- 419	358- 392	331- 356	322- 329	277- 320	250- 275	214- 248	187- 212	185

NOTE: The maximum operating temperature of the fixture must not exceed the ignition temperature of the gas, vapor or dust to be encountered per the National Electrical Code and the Canadian Electrical Code.

① For Group B applications, a Group B rated mounting hood must be used.

② Only for L1 and L2 models, 125-300 Vdc for L3 model.

③ Only for L3 models.

Code•Master™ Jr. LED Factory Sealed Luminaires

Explosionproof, Dust-Ignitionproof

For use with threaded metal conduit.

NEC/CEC:

Class I, Division 1, Groups B, C, D ①
 Class II, Division 1, Groups E, F, G
 Class III
 Zone 1, Ex db IIB + H₂

NEC/CEC:

NEMA 3R, 4X
 Suitable for use in Wet Locations
 Marine Outside Type (Salt Water)
 Suitable for use in Paint Spray Booths

Electrical Specifications (are within +/-10%)

Model Number	Voltage	Input Power (Watts)	Input Current (Amps)	Power Factor (PF)	Total Harmonic Distortion (THD)
CJLL1	120 Vac	13	0.11	>.9	<20%
	277 Vac	14	0.05	>.9	<20%
	100 Vdc	13	0.13	N/A	<20%
	300 Vdc	14	0.05	N/A	<20%
CJLL2	120 Vac	26	0.22	>.9	<20%
	277 Vac	27	0.10	>.9	<20%
	100 Vdc	26	0.26	N/A	<20%
	300 Vdc	27	0.09	N/A	<20%
CJLL3	120 Vac	48	0.40	>.9	<20%
	277 Vac	47	0.18	>.9	<20%
	125 Vdc	48	0.38	N/A	<20%
	300 Vdc	47	0.16	N/A	<20%
	347 Vdc	49	0.15	>.9	<20%
	480 Vdc	49	0.11	>.9	<20%

LED/AREA: NEC/CEC EXPLOSIONPROOF

APPLETON™

① For Group B applications, a Group B rated mounting hood must be used.

Code•Master™ Jr. LED Factory Sealed Luminaires

Explosionproof, Dust-Ignitionproof

For use with threaded metal conduit.


NEC/CEC:

Class I, Division 1, Groups B, C, D ①
 Class II, Division 1, Groups E, F, G
 Class III
 Zone 1, Ex db IIB + H₂

NEC/CEC:

NEMA 3R, 4X
 Suitable for use in Wet Locations
 Marine Outside Type (Salt Water)
 Suitable for use in Paint Spray Booths

Catalog Number

	Mounting Type	Hub Size (inches)	Lumen Output	CCT/CRI	Voltage	Catalog Number	
	One Hub Rigid Conduit	3/4	1600	5000K/70	120-277 Vac 50/60 Hz; 100-300 Vdc	CJLAL12CBU	
			3000			CJLAL22CBU	
			5150		120-277 Vac 50/60 Hz; 125-300 Vdc	CJLAL32CBU	
					347-480 Vac 50/60 Hz;	CJLAL32CBH	
			1500		120-277 Vac 50/60 Hz;	CJLAL12WBU	
			2900		100-300 Vdc	CJLAL22WBU	
		1		3000K/80	5100	120-277 Vac 50/60 Hz; 125-300 Vdc	CJLAL32WBU
						347-480 Vac 50/60 Hz;	CJLAL32WBH
					1600	120-277 Vac 50/60 Hz;	CJLAL13CBU
				3000	100-300 Vdc	CJLAL23CBU	
				5150	120-277 Vac 50/60 Hz; 125-300 Vdc	CJLAL33CBU	
					347-480 Vac 50/60 Hz;	CJLAL33CBH	
				3000K/80	1500	120-277 Vac 50/60 Hz;	CJLAL13WBU
					2900	100-300 Vdc	CJLAL23WBU
					5100	120-277 Vac 50/60 Hz; 125-300 Vdc	CJLAL33WBU
					347-480 Vac 50/60 Hz;	CJLAL33WBH	

LED/AREA: NEC/CEC EXPLOSIONPROOF

APPLETON™

① For Group B applications, a Group B rated mounting hood must be used.

Code•Master™ Jr. LED Factory Sealed Luminaires

Explosionproof, Dust-Ignitionproof

For use with threaded metal conduit.


NEC/CEC:

Class I, Division 1, Groups B, C, D ①
 Class II, Division 1, Groups E, F, G
 Class III
 Zone 1, Ex db IIB + H₂

NEC/CEC:

NEMA 3R, 4X
 Suitable for use in Wet Locations
 Marine Outside Type (Salt Water)
 Suitable for use in Paint Spray Booths

Catalog Number

Mounting Type	Hub Size (inches)	Lumen Output	CCT/CRI	Voltage	Catalog Number		
 <p>Four Hubs Three Close-Up Plugs Rigid Conduit</p>	3/4	1600	5000K/70	120-277 Vac 50/60 Hz; 100-300 Vdc	CJLCL12CBU		
		3000		CJLCL22CBU			
		5150		120-277 Vac 50/60 Hz; 125-300 Vdc	CJLCL32CBU		
				347-480 Vac 50/60 Hz	CJLCL32CBH		
		1500		120-277 Vac 50/60 Hz; 100-300 Vdc	CJLCL12WBU		
		2900		CJLCL22WBU			
	1	3/4	5100	3000K/80	120-277 Vac 50/60 Hz; 125-300 Vdc	CJLCL32WBU	
				347-480 Vac 50/60 Hz	CJLCL32WBH		
			1600	120-277 Vac 50/60 Hz; 100-300 Vdc	CJLCL13CBU		
			3000	CJLCL23CBU			
		1	3/4	5150	5000K/70	120-277 Vac 50/60 Hz; 125-300 Vdc	CJLCL33CBU
					347-480 Vac 50/60 Hz	CJLCL33CBH	
				1500	120-277 Vac 50/60 Hz; 100-300 Vdc	CJLCL13WBU	
				2900	CJLCL23WBU		
1	3/4	5150	3000K/80	120-277 Vac 50/60 Hz; 125-300 Vdc	CJLCL33WBU		
			347-480 Vac 50/60 Hz	CJLCL33WBH			

LED/AREA: NEC/CEC EXPLOSIONPROOF

APPLETON™

① For Group B applications, a Group B rated mounting hood must be used.

Code•Master™ Jr. LED Factory Sealed Luminaires

Explosionproof, Dust-Ignitionproof

For use with threaded metal conduit.


NEC/CEC:

Class I, Division 1, Groups B, C, D ①
 Class II, Division 1, Groups E, F, G
 Class III
 Zone 1, Ex db IIB + H₂

NEC/CEC:

NEMA 3R, 4X
 Suitable for use in Wet Locations
 Marine Outside Type (Salt Water)
 Suitable for use in Paint Spray Booths

Catalog Number

Mounting Type	Hub Size (inches)	Lumen Output	CCT/CRI	Voltage	Catalog Number
 <p>Four Hubs Three Close-Up Plugs Rigid Conduit</p>	3/4	1600	5000K/70	120-277 Vac 50/60 Hz;	CJLWL12CBU
		3000		100-300 Vdc	CJLWL22CBU
		5150		120-277 Vac 50/60 Hz;	CJLWL32CBU
				125-300 Vdc	
				347-480 Vac 50/60 Hz	CJLWL32CBH
		1500	3000K/80	120-277 Vac 50/60 Hz;	CJLWL12WBU
		2900		100-300 Vdc	CJLWL22WBU
		5100		120-277 Vac 50/60 Hz;	CJLWL32WBU
		125-300 Vdc			
			347-480 Vac 50/60 Hz	CJLWL32WBH	
	1	1600	5000K/70	120-277 Vac 50/60 Hz;	CJLWL13CBU
		3000		100-300 Vdc	CJLWL23CBU
		5150		120-277 Vac 50/60 Hz;	CJLWL33CBU
				125-300 Vdc	
				347-480 Vac 50/60 Hz	CJLWL33CBH
		1500	3000K/80	120-277 Vac 50/60 Hz;	CJLWL13WBU
2900		100-300 Vdc		CJLWL23WBU	
5100		120-277 Vac 50/60 Hz;		CJLWL33WBU	
	125-300 Vdc				
		347-480 Vac 50/60 Hz	CJLWL33WBH		

LED/AREA: NEC/CEC EXPLOSIONPROOF

APPLETON™

① For Group B applications, a Group B rated mounting hood must be used.

Code•Master™ Jr. LED Factory Sealed Luminaires

Explosionproof, Dust-Ignitionproof

For use with threaded metal conduit.


NEC/CEC:

Class I, Division 1, Groups B, C, D ①
 Class II, Division 1, Groups E, F, G
 Class III
 Zone 1, Ex db IIB + H₂

NEC/CEC:

NEMA 3R, 4X
 Suitable for use in Wet Locations
 Marine Outside Type (Salt Water)
 Suitable for use in Paint Spray Booths

Catalog Number

	Mounting Type	Hub Size (inches)	Lumen Output	CCT/CRI	Voltage	Catalog Number	
	One Hub	1-1/4 or 1-1/2	1600	5000K/70	120-277 Vac 50/60 Hz;	CJLSL14CBU	
			3000		100-300 Vdc-	CJLSL24CBU	
			5150		120-277 Vac 50/60 Hz;	CJLSL34CBU	
					125-300 Vdc		
					347-480 Vac 50/60 Hz	CJLSL34CBH	
			1500		3000K/80	120-277 Vac 50/60 Hz;	CJLSL14WBU
			2900			100-300 Vdc	CJLSL24WBU
						120-277 Vac 50/60 Hz;	CJLSL34WBU
						125-300 Vdc	
			5100			347-480 Vac 50/60 Hz	CJLSL34WBH

LED/AREA: NEC/CEC EXPLOSIONPROOF

APPLETON™

① For Group B applications, a Group B rated mounting hood must be used.

Code•Master™ Jr. LED Factory Sealed Luminaires

Explosionproof, Dust-Ignitionproof

For use with threaded metal conduit.


NEC/CEC:

Class I, Division 1, Groups B, C, D ①
 Class II, Division 1, Groups E, F, G
 Class III
 Zone 1, Ex db IIB + H₂




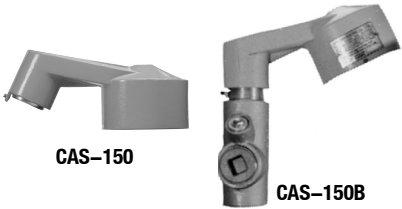
NEC/CEC:

NEMA 3R, 4X
 Suitable for use in Wet Locations
 Marine Outside Type (Salt Water)
 Suitable for use in Paint Spray Booths

Fixture Housing (Not including mounting hoods)

	Description	Weight kg (lb)	Catalog Number
	1600 Lumens, 5000K, 120-277 Vac and 100-300 Vdc	5.2 (11.5)	CJLL1CBU
	3000 Lumens, 5000K, 120-277 Vac and 125-300 Vdc	5.2 (11.5)	CJLL2CBU
	5150 Lumens, 5000K, 120-277 Vac and 100-300 Vdc	5.5 (12.0)	CJLL3CBU
	5150 Lumens, 5000K, 120-277 Vac and 100-300 Vdc	5.5 (12.0)	CJLL3CBH
	1500 Lumens, 3000K, 120-277 Vac and 125-300 Vdc	5.2 (11.5)	CJLL1WBU
	2900 Lumens, 3000K, 120-277 Vac and 100-300 Vdc	5.2 (11.5)	CJLL2WBU
	5100 Lumens, 3000K, 120-277 Vac and 125-300 Vdc	5.5 (12.0)	CJLL3WBU
	5100 Lumens, 3000K, 120-277 Vac and 125-300 Vdc	5.5 (12.0)	CJLL3WBH

Mounting Hoods

	Type Mounting	Hub Size (Inches)	Certified for Class I, Division 1 and 2, Hood Weight kg (lb)	Catalog Number
Pendant		One Hub Rigid Conduit	3/4 B, C, D 0.9 (1.98)	CAP-75
			1 B, C, D 0.9 (1.98)	CAP-100
Ceiling		Four Hubs Three Close-Up Plugs Rigid Conduit	3/4 B, C, D 1.8 (3.97)	CAC-75
			1 B, C, D 1.8 (3.97)	CAC-100
Bracket		Four Hubs Three Close-Up Plugs Rigid Conduit	3/4 B, C, D 2.7 (5.95)	CALB-75
			1 B, C, D 2.7 (5.95)	CALB-100
25° Stanchion		One Hub	1-1/4 or 1-1/2 C, D 0.9 (1.98)	CAS-150 ②
			B, C, D	CAS-150B ①

① When using the 25° Stanchion mounting hood in group B applications part number CAS-150B must be used.
 ② 1-1/2" Tapped hub furnished with 1-1/2" to 1-1/4" reducer.

Code•Master™ Jr. LED Factory Sealed Luminaires

Explosionproof, Dust-Ignitionproof

For use with threaded metal conduit.






NEC/CEC:

Class I, Division 1, Groups B, C, D ①
 Class II, Division 1, Groups E, F, G
 Class III
 Zone 1, Ex db IIB + H₂

NEC/CEC:

NEMA 3R, 4X
 Suitable for use in Wet Locations
 Marine Outside Type (Salt Water)
 Suitable for use in Paint Spray Booths

Accessories and Replacement Parts

	Description	Weight kg (lb)	Catalog Number
Optional White Polyester Reflector			
	Standard Dome	1.1 (2.43)	KR2-ST
Optional White Polyester Reflector			
	Angled Reflector	1.1 (2.43)	KR2-AN
Optional Aluminum Guard			
		0.2 (0.44)	CJGU-15
Optional Three Way Exit Sign (not UL Listed)			
		3.4 (7.50)	CJEXRN
Replacement Connection Block for Mounting Hoods			
		0.2 (0.44)	VPT-7

LED/AREA: NEC/CEC EXPLOSIONPROOF

APPLETON™

① For Group B applications, a Group B rated mounting hood must be used.

Code•Master™ Jr. LED Factory Sealed Luminaires

Explosionproof, Dust-Ignitionproof

For use with threaded metal conduit.

NEC/CEC:

Class I, Division 1, Groups B, C, D ①

Class II, Division 1, Groups E, F, G

Class III

Zone 1, Ex db IIB + H₂

NEC/CEC:

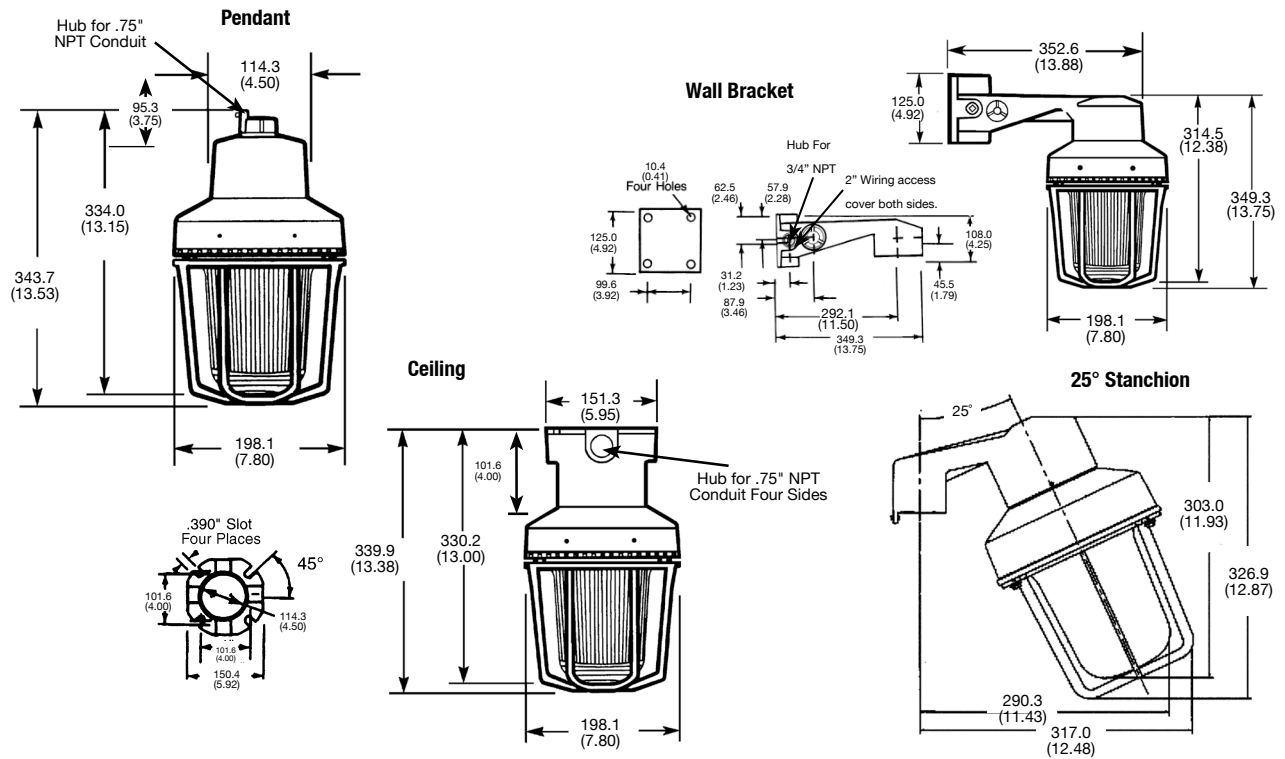
NEMA 3R, 4X

Suitable for use in Wet Locations

Marine Outside Type (Salt Water)

Suitable for use in Paint Spray Booths

Dimensions in Millimeters (Inches)



① For Group B applications, a Group B rated mounting hood must be used.

Code•Master™ Jr. LED Factory Sealed Luminaires

Explosionproof, Dust-Ignitionproof

For use with threaded metal conduit.

NEC/CEC:

Class I, Division 1, Groups B, C, D ①
 Class II, Division 1, Groups E, F, G
 Class III
 Zone 1, Ex db IIB + H₂

NEC/CEC:

NEMA 3R, 4X
 Suitable for use in Wet Locations
 Marine Outside Type (Salt Water)
 Suitable for use in Paint Spray Booths

Photometric Data — DATA SHOWN IS ABSOLUTE

Prismatic Glass, 5000K CCT

REPORT NUMBER: CJLAL12CBU

Luminaire Lumens 1,600

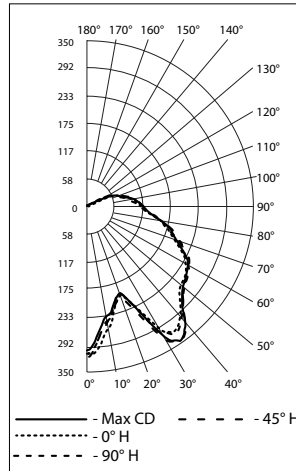
ZONAL LUMEN SUMMARY

Zone	Lumens	% Luminaire
0-30	201.0	12.4%
0-40	403.5	24.8%
0-60	852.6	52.4%
60-90	552.9	34%
70-100	440.0	27%
90-120	217.0	13.3%
0-90	1405.5	86.4%
90-180	221.4	13.6%
0-180	1626.9	100%

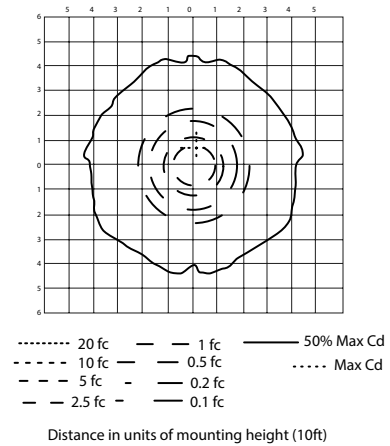
LUMENS PER ZONE

Zone	Lumens	% Total	Zone	Lumens	% Total
0-10	25.1	1.5%	90-100	109.8	6.8%
10-20	61.3	3.8%	100-110	81.6	5%
20-30	114.6	7.0%	110-120	25.6	1.6%
30-40	202.5	12.4%	120-130	2.2	0.1%
40-50	220.7	13.6%	130-140	1.5	0.1%
50-60	228.4	14.0%	140-150	0.6	0%
60-70	222.7	13.7%	150-160	0.1	0%
70-80	190.0	11.7%	160-170	0	0%
80-90	140.1	8.6%	170-180	0	0%

Polar Candela Distribution



Isoillumination Plot



Prismatic Glass, 5000K CCT

REPORT NUMBER: CJLAL22CBU

Luminaire Lumens 3,000

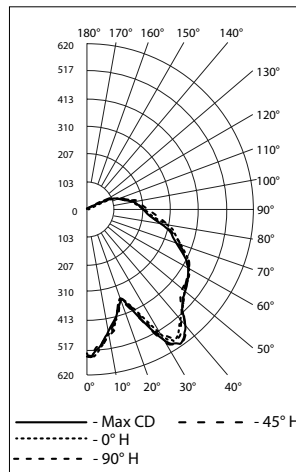
ZONAL LUMEN SUMMARY

Zone	Lumens	% Luminaire
0-30	372.8	12.4%
0-40	737.2	24.6%
0-60	1550.7	51.7%
60-90	1022.5	34.1%
70-100	824.7	27.5%
90-120	418.7	14%
0-90	2573.2	85.7%
90-180	427.8	14.3%
0-180	3001.0	100%

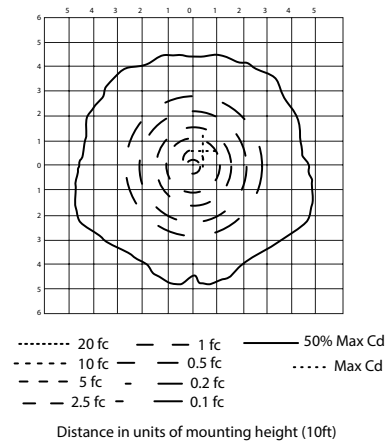
LUMENS PER ZONE

Zone	Lumens	% Total	Zone	Lumens	% Total
0-10	47.7	1.6%	90-100	209.5	7%
10-20	115.2	3.8%	100-110	157.4	5.2%
20-30	209.9	7.0%	110-120	51.8	1.7%
30-40	364.4	12.1%	120-130	4.7	0.2%
40-50	398.9	13.3%	130-140	3.1	0.1%
50-60	414.6	13.8%	140-150	1.1	0%
60-70	407.3	13.6%	150-160	0.2	0%
70-80	352.3	11.7%	160-170	0	0%
80-90	262.9	8.8%	170-180	0	0%

Polar Candela Distribution



Isoillumination Plot



① For Group B applications, a Group B rated mounting hood must be used.

LED/AREA: NEC/CEC EXPLOSIONPROOF

APPLETON™

Code•Master™ Jr. LED Factory Sealed Luminaires

Explosionproof, Dust-Ignitionproof

For use with threaded metal conduit.

NEC/CEC:

Class I, Division 1, Groups B, C, D ①
 Class II, Division 1, Groups E, F, G
 Class III
 Zone 1, Ex db IIB + H₂

NEC/CEC:

NEMA 3R, 4X
 Suitable for use in Wet Locations
 Marine Outside Type (Salt Water)
 Suitable for use in Paint Spray Booths

Photometric Data — DATA SHOWN IS ABSOLUTE

Prismatic Glass, 5000K CCT
 REPORT NUMBER: C>JLAL32CBU
 Luminaire Lumens 5,150

Polar Candela Distribution

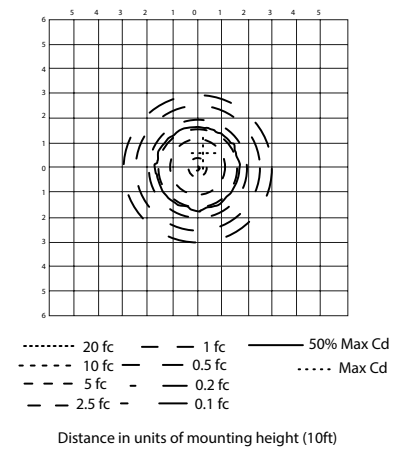
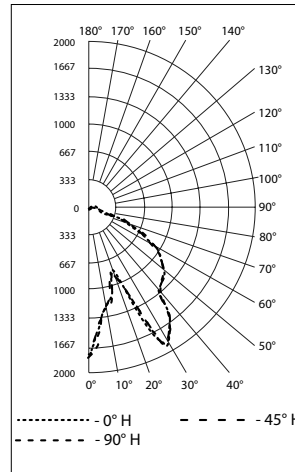
Isoillumination Plot

ZONAL LUMEN SUMMARY

Zone	Lumens	% Luminaire
0-30	1009.5	19.6%
0-40	2057.9	40%
0-60	3955.0	76.9%
60-90	1122.9	21.8%
70-100	410.5	8%
90-120	42.9	0.8%
0-90	5077.9	98.8%
90-180	62.8	1.2%
0-180	5140.7	100%

LUMENS PER ZONE

Zone	Lumens	% Total	Zone	Lumens	% Total
0-10	130.6	2.5%	90-100	17.5	0.3%
10-20	293.1	5.7%	100-110	13.7	0.3%
20-30	585.8	11.4%	110-120	11.7	0.2%
30-40	1048.3	20.4%	120-130	10.2	0.2%
40-50	956.5	18.6%	130-140	6.7	0.1%
50-60	940.6	18.3%	140-150	2.6	0%
60-70	729.9	14.2%	150-160	0.4	0%
70-80	335.5	6.5%	160-170	0	0%
80-90	57.5	1.1%	170-180	0	0%



LED/AREA: NEC/CEC EXPLOSIONPROOF
APPLETON™

① For Group B applications, a Group B rated mounting hood must be used.