



Friendly Service..Powerful Solutions

PIPE HANGER & CONDUIT CLAMP

Rigid Strut Clamps

Features:

- For use with IMC/Rigid Conduit

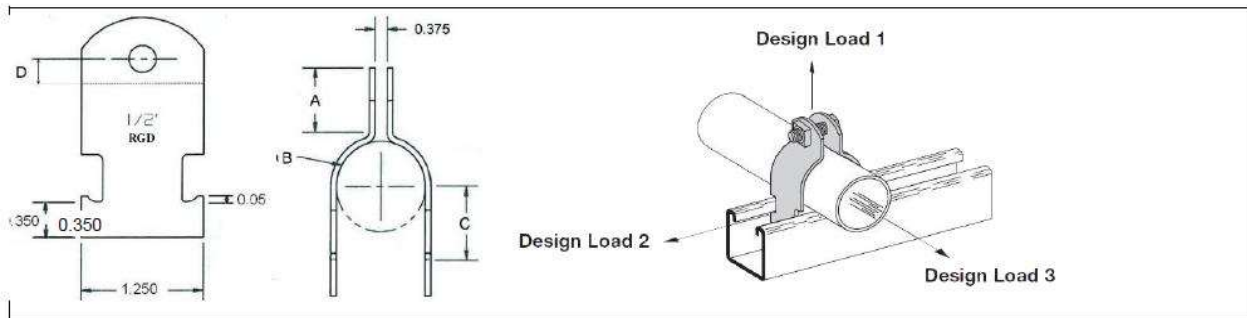
Standard Material:

- Steel

Standard Finish:

- Zinc Plated/Hot-dipped galvanized/SS304/SS316

Cat.No.	Size	Conduit Size	Design Load 1	Design Load 2	Design Load 3	Material Thickness	Hole Diameter	A	B	C	D	Bolt Size
		(mm)	(Lbs)	(Lbs)	(Lbs)							
SC-050	1/2"	21.34	400	50	50	0.0641 (±0.005)	0.28	0.690	0.840	0.7010±0.015	0.325 0.345	1/4-20 x1"
SC-075	3/4"	26.67	400	50	50				1.050	0.8060±0.015		
SC-100	1"	33.40	600	75	75				1.315	0.9385±0.015		
SC-125	1-1/4"	42.16	600	75	75	0.0747 (±0.005)	0.28	0.690	1.660	1.1110±0.015	0.325 0.345	1/4-20 x1"
SC-150	1-1/2"	48.26	800	125	125				1.900	1.2310±0.015		
SC-200	2"	60.33	800	125	125				2.375	1.4685±0.015		
SC-250	2-1/2"	73.03	800	125	125	0.1034 (±0.005)	0.34	0.820	2.875	1.7185±0.015	0.400 0.420	5/16-18x1-1/4"
SC-300	3"	88.90	800	125	125				3.500	2.0310±0.015		
SC-350	3-1/2"	101.60	1,000	200	150				4.000	2.2810±0.015		
SC-400	4"	114.30	1,000	200	150	0.118 (±0.005)	0.42	0.875	4.500	2.5310±0.015	0.480 0.500	3/8-16x1-1/4"
SC-500	5"	141.30	1,000	200	150				5.563	3.0625±0.015		
SC-600	6"	168.30	1,000	200	150				6.625	3.5935±0.015		
SC-800	8"	219.08	1,000	200	150				8.625	4.9212±0.015		
SC-1000	10"	273.10	1,000	200	150				10.685	5.8465±0.015		



Applications:

- Use to support IMC/Rigid Conduits from strut channel .

Clamps to be packaged Assembled as shown with one(1) Bolt and one (1) Hex Nut.



Technical Services
Tel: +86-571-28909912

HANGZHOU / CHINA
Tel: +86-571-28811845
Fax: +86-571-28886901
E-mail: sales@prostar-ele.net

www.prostar-ele.net