

Vaporgard incandescent luminaires

Cl. I, Div. 2, Groups A, B, C, D (all mounting types except stanchion)
Wet Locations
NEMA 3, 3R

Applications:

Vaporgard™ incandescent luminaires are used:

- Indoors or outdoors in industrial locations where enclosed and gasketed fixtures are required
- In tunnels, building entrances and similar locations, where moisture, dirt, chemicals, vibration or rough usage are a problem
- For flush or surface mounting on ceiling or wall; pendant or in conduit systems; with or without a cast outlet box

Features:

- Designed to exclude dirt, moisture and corrosive vapors from the interior of the luminaires and the conduit system
- There are no screws to remove as the shock absorbing socket strap is keyhole slotted and removes quickly for ease of wiring
- The glass globe guard assembly is installed and/or removed as a unit, making it necessary to handle only one piece in relamping
- There are no crevices to accumulate a dirt or dust build-up and fixture has an attractive finish with a smooth, dust and dirt shedding design
- Configured glass globe has vertical fluting and stippled bottom which provides for more even light distribution and glare elimination
- For non-hazardous locations, shatterproof plastic polycarbonate globes are available for use with the 200 watt series
- Reversible offset socket mounting strap permits use of various size lamps while holding light center in same position for maximum light output and efficiency
- Shock absorbing medium base lamp socket

Krydon fiberglass-reinforced polyester reflectors:

- Reflectance is equivalent to the finest porcelain enamel
- Cannot corrode – no enamel to chip and rust
- Ultraviolet inhibitors are incorporated in the material to prevent discoloration and brittleness

Certifications and compliances:

NEC/CEC:

- Class I, Division 2
- UL standard: 1598
- CSA standard: C22.2 No. 9
- UL/CSA fixture fitting
- Wet locations

Standard materials:

- Bodies and guards – copper-free aluminum
- Globes – heat- and impact-resistant tempered glass; colored glass: non-tempered (G55, G56, G57, G58); plastic: polycarbonate (G63, G65, G67)
- Reflectors – Krydon fiberglass-reinforced polyester

Standard finishes:

- Bodies and guards – epoxy powder coat
- Krydon – high reflectance white

Options:

Description	Suffix
• Teflon® coating on globe for increased shatter protection	S808
<i>G24 globe 200 watt series only</i>	
• 250V nameplate for export applications	/250
• Plastic polycarbonate globe	see page 34

Temperature performance data – Class I, Division 2:

(Based on 40°C ambient)

Lamp watts	T-code	Supply wire °C
150W	T2A	150
200W	T2B	200
300W	T2B	150



Electrical/size ratings:

- Up to 300 watt, PS-30 medium base lamp
- ½" to 1¼" hubs
- 120V nameplate is standard – for NEC compliance
- 250V nameplate is optional; supplied when ordered with suffix /250

Photometrics:

- Complete photometrics can be found at www.crouse-hinds.com/photometrics

Teflon® is a registered trademark of E.I. duPont Co.

Vaporgard incandescent luminaires

Cl. I, Div. 2, Groups A, B, C, D (all mounting types except stanchion)
Wet Locations
NEMA 3, 3R

Ordering information:

Pendant mount – VDA



Hub size	Watts	Max. lamp size	Cat. # Complete with globe/guard	Luminaire components		
				Cat. # Pendant body	Cat. # Globe	Cat. # Guard
1/2"	150	150W, A-21	VDA15GP	VDA15	G54	P50
3/4"	150		VDA25GP	VDA25	G54	P50
1"	150		VDA35GP	VDA35	G54	P50
1/2"	200	200W, A-23	VDA12GP	VDA12	G24	P21
3/4"	200		VDA22GP	VDA22	G24	P21
1"	200		VDA32GP	VDA32	G24	P21
1/2"	300	300W, PS-25 & PS-30	VDA13GP	VDA13	G34/G251	P22
3/4"	300		VDA23GP	VDA23	G34/G251	P22
1"	300		VDA33GP	VDA33	G34/G251	P22

Through feed – VDC



Hub size	Watts	Max. lamp size	Cat. # Complete with globe/guard	Luminaire components		
				Cat. # Through feed body	Cat. # Globe	Cat. # Guard
1/2" or 3/4"	150	150W, A-21	VDC25GP	VDC25	G54	P50
1/2" or 3/4"	200	200W, A-23	VDC22GP	VDC22	G24	P21
1/2" or 3/4"	300	300W, PS-25 & PS-30	VDC23GP	VDC23	G34/G251	P22

Ceiling mount for recessed 4" round box – VXH



Hub size	Watts	Max. lamp size	Cat. # Complete with globe/guard	Luminaire components		
				Cat. # Lamp socket body	Cat. # Globe	Cat. # Guard
1/2" or 3/4"	150	150W, A-21	VXH15GP	VXH15	G54	P50
1/2" or 3/4"	200	200W, A-23	VXH12GP	VXH12	G24	P21
1/2" or 3/4"	300	300W, PS-25 & PS-30	VXH13GP	VXH13	G34/G251	P22

Ceiling mount with junction box – VXHF



Hub size	Watts	Max. lamp size	Cat. # Complete with globe/guard	Luminaire components			
				Cat. # Lamp socket body	Cat. # Globe	Cat. # Guard	Cat. # Junction box
1/2" or 3/4"	150	150W, A-21	VXHF25GP	VXH15	G54	P50	VXF20
1/2" or 3/4"	200	200W, A-23	VXHF22GP	VXH12	G24	P21	VXF20
1/2" or 3/4"	300	300W, PS-25 & PS-30	VXHF23GP	VXH13	G34/G251	P22	VXF20

Note: All fixtures supplied with 1/2" reducers, except for pendant mount.

Vaporgard incandescent luminaires

Cl. I, Div. 2, Groups A, B, C, D (all mounting types except stanchion)
Wet Locations
NEMA 3, 3R

1L

Ordering information (continued):

Wall mount – VXHT



Hub size	Watts	Max. lamp size	Cat. # Complete with globe/guard	Luminaire components				
				Cat. # Wall bracket mounting module	Cat. # Body	Cat. # Globe	Cat. # Guard	
1/2" or 3/4"	150	150W, A-21	VXHT25GP	VXT20	VXH15	G54	P50	
1/2" or 3/4"	200	200W, A-23	VXHT22GP	VXT20	VXH12	G24	P21	
1/2" or 3/4"	300	300W, PS-25 & PS-30	VXHT23GP	VXT20	VXH13	G34/G251	P22	

Wall mount – adapter kit

Description	Cat. #
Mounts wall mount VXHT to a 4" round box	VXT K1

Wall mount with junction box – VXHBF



Hub size	Watts	Max. lamp size	Cat. # Complete with globe/guard	Luminaire components					
				Cat. # Wall bracket mounting module	Cat. # Body	Cat. # Globe	Cat. # Guard	Cat. # Junction box	
1/2" or 3/4"	150	150W, A-21	VXHBF25GP	VXT20	VXH15	G54	P50	VXF20	
1/2" or 3/4"	200	200W, A-23	VXHBF22GP	VXT20	VXH12	G24	P21	VXF20	
1/2" or 3/4"	300	300W, PS-25 & PS-30	VXHBF23GP	VXT20	VXH13	G34/G251	P22	VXF20	

45° stanchion mount – VXHA



Hub size	Watts	Max. lamp size	Cat. # Complete with globe/guard	Luminaire components			
				Cat. # Stanchion mounting module	Cat. # Body	Cat. # Globe	Cat. # Guard
1/4"	150	150W, A-21	VXHA45GP	VXA4	VXH15	G54	P50
1/4"	200	200W, A-23	VXHA42GP	VXA4	VXH12	G24	P21
1/4"	300	300W, PS-25 & PS-30	VXHA43GP	VXA4	VXH13	G34/G251	P22

Note: All fixtures supplied with 1/2" reducers, except for pendant mount.

Medium base lamp receptacle with strap

Shock-absorbing



Description	Cat. #
Shock-absorbing medium base lamp receptacle with strap	V84

Globes[Ⓐ] & guards



150W and 200W globe

300W globe

Max. lamp size

Color	Cat. #		
	150 watt, A-21	200 watt, A-23, A-25, PS-25	300 watt, PS-25, PS-30 [Ⓕ]
Clear (heat-resisting)	G54	G24 [Ⓒ]	G34/G251
Green	G55 [Ⓓ]	G25	
Blue	G56 [Ⓓ]	G26	
Red	G57 [Ⓓ]	G27	
Amber	G58 [Ⓓ]	G28	

Plastic globes[Ⓕ]



Shatterproof polycarbonate plastic globe[Ⓕ]

Reflectors



Dome



30° angle

Max. lamp size	Cat. # Dome	Cat. # 30° angle
150W, A-21	RD64	RA64
200W, A-23, A-25, PS-25 and 300W, PS-30	RD71	RA71

Guards for glass globes (Not for use with plastic globes)



P50 and P21

P22

Max. lamp size	Cat. #
150W, A-21	P50
200W, A-23, A-25, PS-25	P21
300W, PS-30 (with G251 only)	P22

Applications:

For use in:

- Food processing plants and canneries, dairies, breweries and bakeries
- Emergency lighting

Features:

- Shatterproof, which precludes contamination of food products with broken particles of glass
- Designed to comply with U.S. Dept. of Agriculture specification for food processing plants
- Provides protection against vandalism, with resultant lower replacement and maintenance costs
- Particularly adaptable for use on emergency police or fire alarm boxes
- Same size as G24 series glass globes; existing installations can be changed to plastic globes simply by replacing globe
- For use with 200 watt series luminaires such as VDA22, etc.
- For use without guard

VXFT – 5 hubs, 4 plugs



Hub size	Cat. #
1/2"	VXFT10
3/4"	VXFT20

For use when rear wiring entry is required. Use in lieu of VXF10 or VXF20.

Color	Max. lamp size	Cat. #
Natural	200W, A-23	G63
Green	200W, A-23	G65
Red	200W, A-23	G67

Note: Polycarbonate globes for non-hazardous locations only.

Mounting adapter kit



Description	Cat. #
Allows for the mounting of non-Eaton outlet boxes to the VXT20 wall mount bracket and VXH ceiling mount bracket	VXT K1

[Ⓐ]All glass globes have fluted side and stippled bottom.

[Ⓑ]G251 globe required when P22 guard is used. Use G34 globe when guard is not used.

[Ⓒ]G24 is available with a Teflon coating for increased shatter protection by adding suffix S808 only.

[Ⓓ]With G55, G56, G57, G58 color globes, maximum lamp size is 60 watts for outdoor applications.

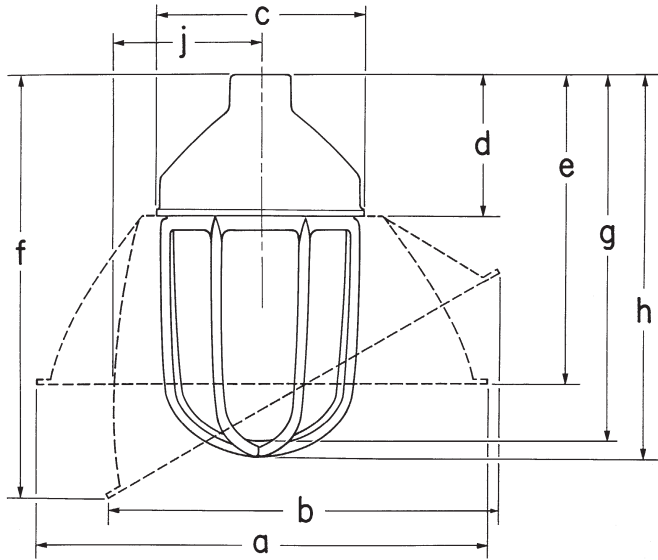
[Ⓔ]Lamp must be mounted in vertical position base up to 45° (stanchion) only.

[Ⓕ]Prior to wash down, globes must be cool.

Vaporgard incandescent luminaires

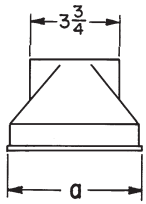
Cl. I, Div. 2, Groups A, B, C, D (all mounting types except stanchion)
Wet Locations
NEMA 3, 3R

Dimensions (in inches):

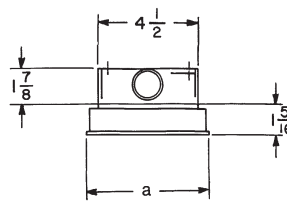


VDA

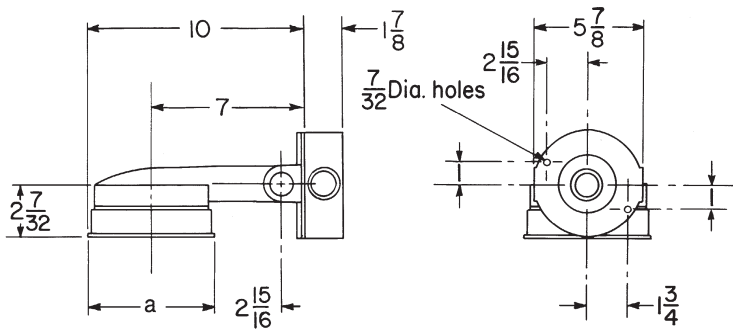
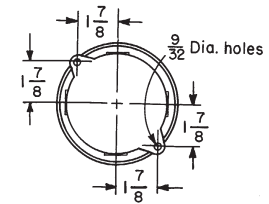
	150 watt, A-21	200 watt, PS-25	300 watt, PS-30
a	12 ² / ₈	16 ⁷ / ₈	16 ⁷ / ₈
b	11 ¹ / ₈	14 ³ / ₈	14 ³ / ₈
c	5 ⁷ / ₈	6	6
d	3 ¹³ / ₁₆	4	4
e	8 ⁷ / ₁₆	9 ¹ / ₈	9 ¹ / ₈
f	12	14	14
g	8 ¹³ / ₁₆	10 ¹ / ₂	12
h	9	10 ¹³ / ₁₆	13 ³ / ₈
j	4 ¹ / ₂	6 ¹ / ₁₆	6 ¹ / ₁₆



VDC



VXH and VXHF
(omit box for VXF)



VXHT and VXHF
(omit box for VXHF)

Max. lamp size	a
150W, A-21	5 ⁷ / ₈
200W, A-23, A-25, PS-25 and 300W, PS-30	6