

► Model SST3GCX-MV

Hazardous Location Remotely Selectable Electronic Siren

Model SST3GCX-MV is an electronic siren capable of producing three different high decibel tones from the same unit.

This model can be used as a stand-alone, full output, audible warning device in any hazardous location environment where multiple tones are needed but voice paging is not required. The user activates each tone (wail, yelp or horn) with dry contacts from a remote point.

The rugged speaker cone and projector are constructed of spun aluminum and the integrated circuitry are contained in a housing constructed of die-cast aluminum. All surfaces are sealed with powder-coat paint. Dust- and moisture-proof gaskets provide Type 4X protection from the elements.

Typical applications include emergency warning, start and dismissal, general alarm and evacuation.

FEATURES

- Multi-voltage design accepts 24VDC or 120/240VAC
- Produces three tones – wail, yelp, and horn
- Produces up to 110.5 dBa at 10' (120 dBa at 1M)
- Omni-directional speaker
- Type 4X, IP66, IP69K enclosure
- Class I, Division 2, Groups A, B, C and D; Class II, Division 2, Groups F & G; Class III
- External mounting tabs
- Indoor/outdoor use
- UL and cUL Listed

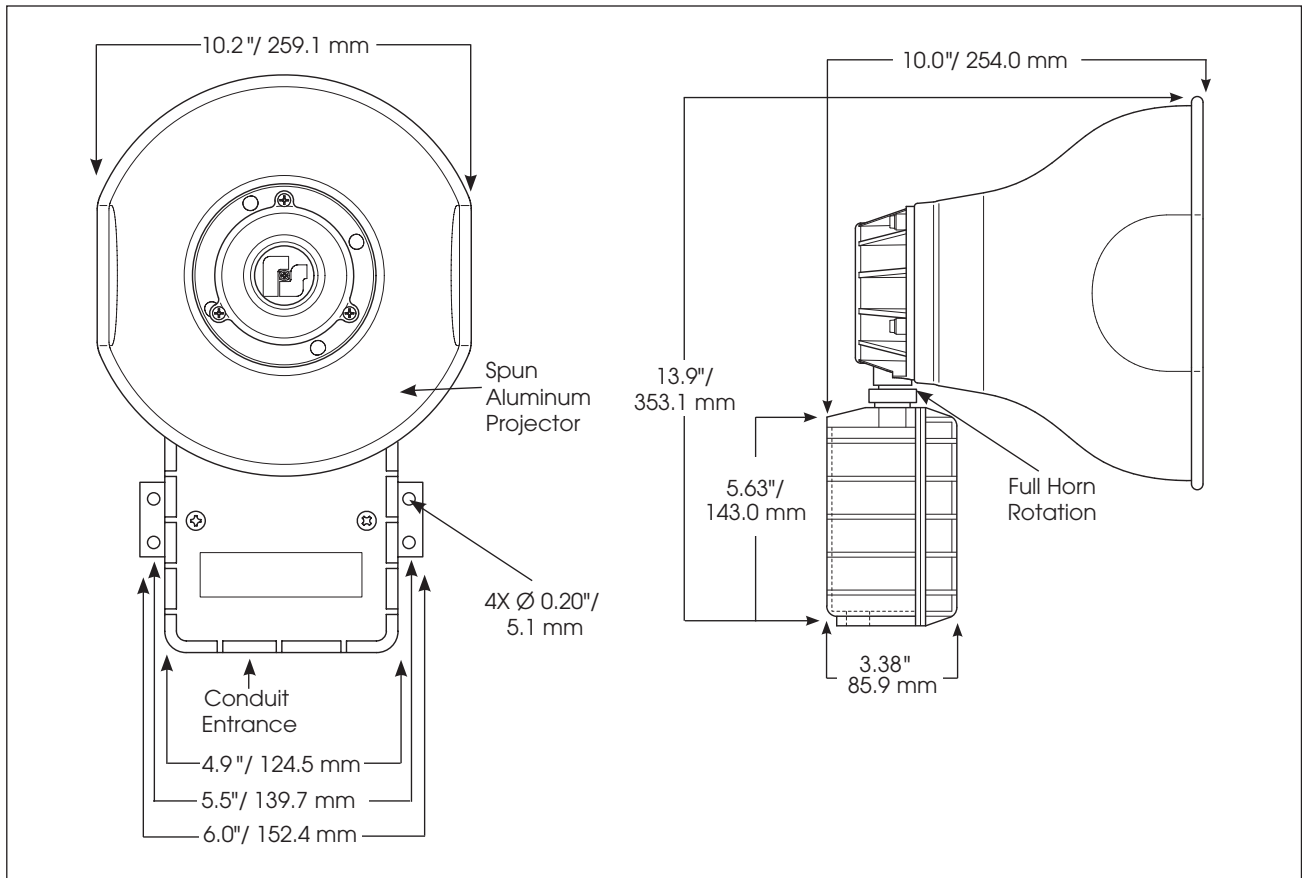
MODEL	VOLTAGE	OPERATING CURRENT	TONE	DECIBELS	
				10'	1M
SST3GCX-MV	24VDC	0.50 amps	Wail	107.5	117.5
	120VAC	0.21 amps	Yelp	110.5	120.5
	240VAC	0.12 amps	Horn	110.0	120.0

HAZARDOUS LOCATION RATING: SST3GCX-MV

T-CODE AT MAXIMUM AMBIENT TEMPERATURE, °C

Hazardous Location	66°C	40°C
Class I, Division 2, Groups A, B, C, D	T3C	T4
Class II, Division 2, Groups F, G	T5	T5
Class III	T5	T5

Hazardous Location Remotely Selectable Electronic Siren (SST3GCX-MV)



SPECIFICATIONS

Operating Temperature:	-67°F to 150°F	-55°C to 66°C
Maximum Contact Resistance		1000 Ohms
Net Weight:	6.5 lbs	2.9 kg
Shipping Weight:	7.5 lbs	3.5 kg
Height:	13.9"	353.1 mm
Width:	10.2"	259.1 mm
Depth:	10.0"	254.0 mm

HOW TO ORDER

Specify Model:

SST3GCX-MV – Siren, electronic, remotely selectable, hazardous location, multi-voltage

REPLACEMENT PARTS

Description	Part Number
Speaker Assembly	K8593103A
PCBA	K20000104A