



**LOH121206**

**Industry Standards**

UL 50, Type 1 & 3R  
CSA Certified, Type 1 & 3R  
NEMA/EEMAC Type 1 & 3R

 UL File E6924

 CSA File LL66078

**FEATURES-SPECIFICATIONS**

**Applications**

Designed for use as wiring boxes and junction boxes. Provides protection in outdoor installations against rain, sleet, and snow, or indoors against dripping water.

**Construction**

- Bodies and doors are fabricated from carbon steel
- Integrated drip cap
- Door is hinged on the left side with lift-off hinges

- No knockouts
- Mounting holes on the back of the enclosure
- Doors are securely fastened with a padlockable draw latch
- Grounding provisions are provided

**Finish**

- ANSI-61 gray polyester powder inside and out
- **Optional** back panels are painted with a white polyester powder

**Accessories**

- Mounting Foot Kit and Panel Mounting Kit (see page B10)
- Back panels (reference table)
- See pages L1-L24

**LOH SERIES HINGED-COVER ENCLOSURES**

Catalog Number	Enclosure Size HxWxD	Back Panel Catalog Number*	Back Panel Size A x B	C	E	F	G	H	I	J
LOH080604**	8.00x6.00x4.00 (203x152x102)	P0606	4.88x4.88 (124x124)	10.13 (257)	9.13 (232)	4.00 (102)	2.25 (57)	0.31 (8)	1.56 (40)	0.56 (14)
LOH080804**	8.00x8.00x6.00 (203x203x152)	P0806	6.88x4.88 (175x124)	10.13 (257)	9.13 (232)	4.00 (102)	2.25 (57)	0.31 (8)	1.56 (40)	0.56 (14)
LOH080806**	8.00x8.00x6.00 (203x203x152)	P0806	6.88x4.88 (175x124)	10.13 (257)	9.13 (232)	4.00 (102)	2.25 (57)	0.31 (8)	1.56 (40)	0.56 (14)
LOH100806	10.00x8.00x6.00 (254x203x152)	P0808	6.88x6.88 (175x175)	12.13 (308)	11.13 (283)	4.00 (102)	2.25 (57)	0.31 (8)	1.56 (40)	0.56 (14)
LOH121006	12.00x10.00x6.00 (305x254x152)	P1010	8.88x8.88 (226x226)	14.13 (359)	13.13 (334)	4.00 (102)	2.25 (57)	0.31 (8)	1.56 (40)	0.56 (14)
LOH121206	12.00x12.00x6.00 (305x305x152)	P1210	10.88x8.88 (276x226)	14.13 (359)	13.13 (334)	4.00 (102)	2.25 (57)	0.31 (8)	1.56 (40)	1.56 (40)
LOH141206	14.00x12.00x6.00 (355x305x152)	P1212	10.88x10.88 (276x276)	16.13 (409)	15.13 (384)	4.00 (102)	2.25 (57)	0.31 (8)	1.56 (40)	0.56 (14)
LOH161206	16.00x12.00x6.00 (406x305x152)	P1412	12.88x10.88 (327x175)	18.13 (461)	17.13 (435)	4.00 (102)	2.25 (57)	0.31 (8)	1.56 (40)	0.56 (14)
LOH161606	16.00x16.00x6.00 (406x406x152)	NP1616	13.00x13.00 (330x330)	18.13 (461)	17.19 (437)	13.00 (330)	13.00 (330)	0.88 (22)	1.50 (38)	1.50 (38)
LOH181806	18.00x18.00x6.00 (457x457x152)	NP1818	13.88x13.88 (352x352)	20.13 (511)	19.13 (485)	13.00 (330)	13.00 (330)	0.88 (22)	1.50 (38)	1.50 (38)
LOH201606	20.00x16.00x6.00 (508x406x152)	NP2016	17.00x13.00 (432x330)	22.19 (564)	21.19 (538)	13.00 (330)	13.00 (330)	0.88 (22)	1.50 (38)	1.50 (38)
LOH202008	20.00x20.00x8.00 (508x508x203)	NP2020	17.00x17.00 (432x432)	22.19 (564)	21.19 (538)	13.00 (330)	13.00 (330)	0.88 (22)	1.50 (38)	1.50 (38)
LOH242008	24.00x20.00x8.00 (610x508x203)	NP2420	21.00x17.00 (533x432)	26.19 (665)	25.19 (640)	13.00 (330)	13.00 (330)	0.88 (22)	1.50 (38)	1.50 (38)
LOH242408	24.00x24.00x8.00 (610x610x203)	NP2424	21.00x21.00 (533x533)	26.19 (665)	25.19 (640)	13.00 (330)	13.00 (330)	0.88 (22)	1.50 (38)	1.50 (38)
LOH302408	30.00x24.00x8.00 (762x610x203)	NP3024	27.00x21.00 (686x533)	32.19 (818)	21.19 (538)	13.00 (330)	13.00 (330)	0.88 (22)	1.50 (38)	1.50 (38)

\*Back panels must be ordered separately. When installing a back panel, a panel mounting kit is required. See page B10.

\*\* Enclosure has one latch only.

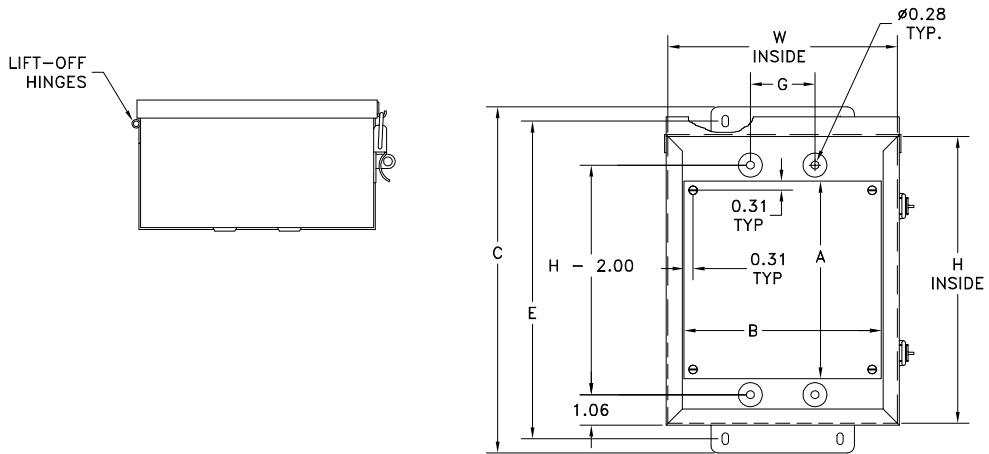
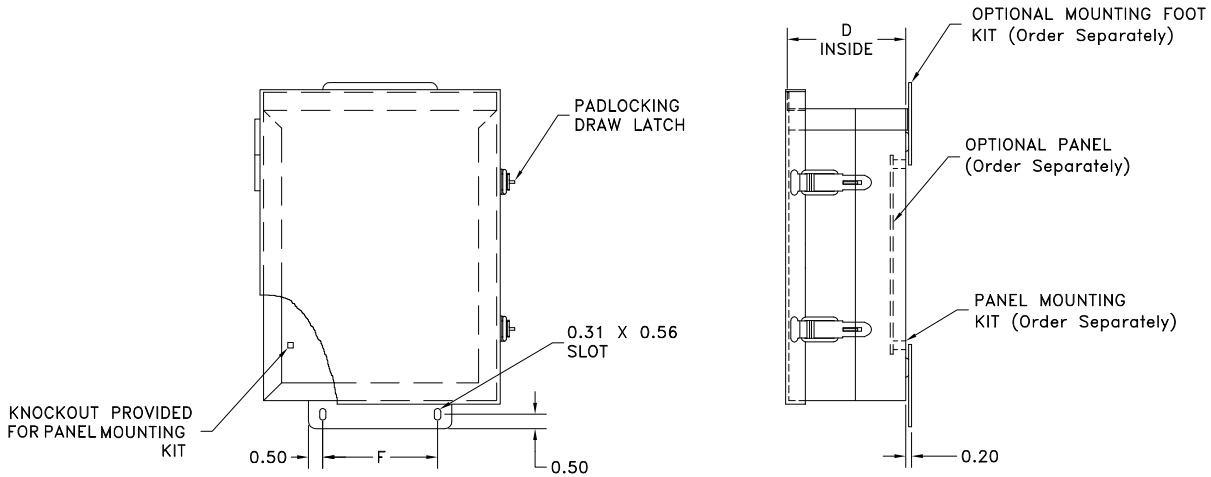
Note: If mounting feet are required, See page B10 for options.

### PANEL MOUNTING KIT

Catalog Number	Description
WAPMK3RL016	Panel Mounting Kit for Enclosures 16x12x6 and smaller
WAPMK3RL014	Panel Mounting Kit for Enclosures 16x16x6 and larger

### MOUNTING FOOT KIT (OPTIONAL)

Catalog Number	Description	Overall Width of Foot	Hole Spacing
WAMFK3RL016	Mounting Foot Kit for Enclosures 16x12x6 and smaller	5.00 (127)	4.00 (102)
WAMFK3RL014	Mounting Foot Kit for Enclosures 16x16x6 and larger	14.00 (356)	13.00 (330)



View With Cover Removed  
& Panel Installed