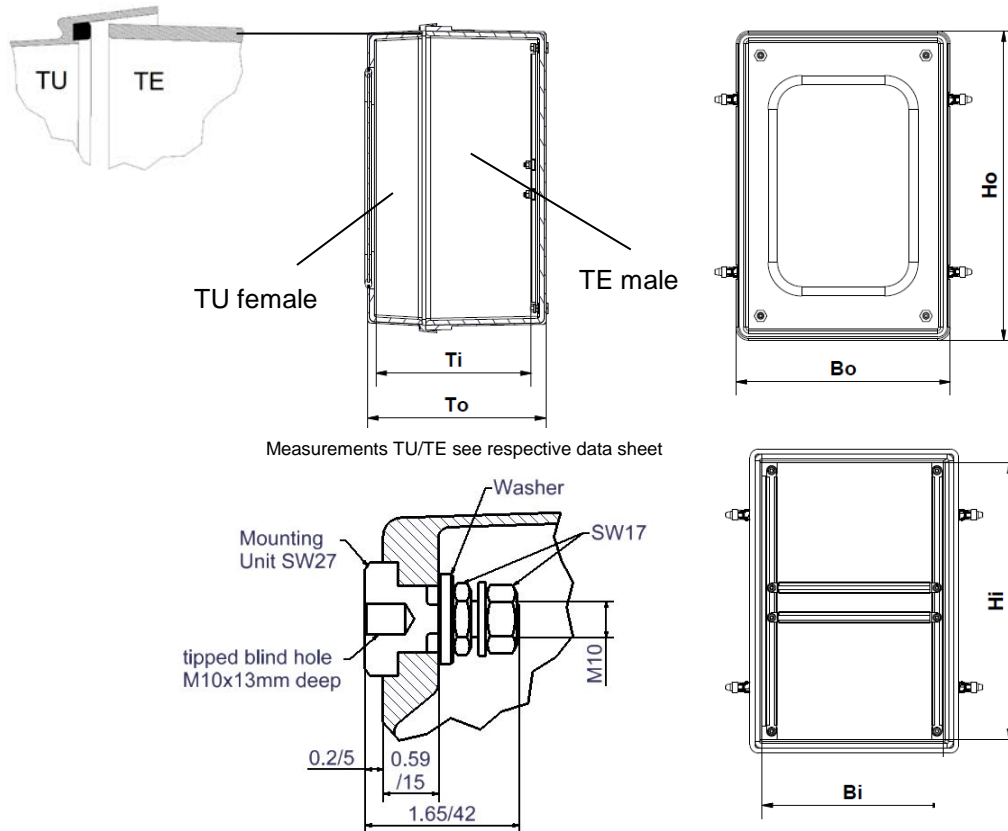




MULTIBOX Type Overview

Made of hot-pressed glassfibre reinforced polyester (GRP)
 Protection class IP65 / EPDM seal
 4 mounting elements, stainless steel, for fastening the mounting rails or mounting plates etc.
 Colour similar RAL 7032 light gray / UV-resistant

Stockable design for space saving storage and transport
 Low flammability and self-extinguishing
 Two-Part construction: Mounting of the equipment in male (TE) or female part (TU), possible as well in landscape format



Measurements TU/TE see respective data sheet

Further explanations of mounting rail systems → data sheet [KD171](#)

Type	Height [inch/mm]		Width [inch/mm]		Depth [inch/mm]			Weight [lbs/kg]	Data Sheet
	Ho	Hi	Wo	Wi	Do	Di	Di arctic...		
<input type="checkbox"/> 20	18.8"/477	15.8"/402	14.8"/377	11.8"/302	5.9"/150	5.1"/130	4.5"/115	11.5/5.2	KD235
<input type="checkbox"/> 40	18.8"/477		14.8"/377		11.4"/290	10.6"/270	10.0"/255	15.4/7.0	KD234
<input type="checkbox"/> 25	19.1"/485	15.8"/402	15.2"/385	11.8"/302	9.5"/240	7.9"/200	7.3"/185	13.2/6.0	KD121
<input type="checkbox"/> 48	19.1"/485		15.2"/385		15.0"/380	13.4"/340	12.8"/325	15.4/7.0	KD122
<input type="checkbox"/> 60	25.2"/640	22.1"/562	17.3"/440	14.2"/362	9.8"/250	8.3"/210	7.7"/195	17.6/8.0	KD123
<input type="checkbox"/> 70	25.2"/640		17.3"/440		13.4"/340	11.8"/300	11.2"/285	18.7/8.5	KD124
<input type="checkbox"/> 100	25.2"/640	25.7"/652	17.3"/440	16.6"/422	16.9"/430	15.4"/390	14.8"/375	20.9/9.5	KD125
<input type="checkbox"/> 80	29.5"/750		20.5"/520		9.8"/250	8.3"/210	7.7"/195	20.9/9.5	KD126
<input type="checkbox"/> 150	29.5"/750	25.7"/652	20.5"/520	16.6"/422	16.9"/430	15.4"/390	14.8"/375	26.5/12.0	KD127
<input type="checkbox"/> 170	29.5"/750		20.5"/520		18.9"/480	17.3"/440	16.7"/425	27.6/12.5	KD128
<input type="checkbox"/> 250	31.5"/800	26.8"/682	23.7"/600	18.9"/482	19.0"/485	17.3"/440	16.7"/425	30.9/14.0	KD129
<input type="checkbox"/> VARIO	x	x	x	x	x	x	x	x	KD131

Please note that the lid propstay and other installations require space and can affect the mounting clearance.



MULTIBOX Type Overview

	Type	Heat transition coefficient K			
		Standard		arctic... additional Insulation	
		without window	with window	without window	with window
<input type="checkbox"/>	20	1.9 W/K	2.2 W/K	0.7 W/K	1.0 W/K
<input type="checkbox"/>	25	2.5 W/K	2.9 W/K	0.9 W/K	1.3 W/K
<input type="checkbox"/>	40	3.4 W/K	3.8 W/K	0.9 W/K	1.2 W/K
<input type="checkbox"/>	48	4.4 W/K	4.9 W/K	1.2 W/K	1.6 W/K
<input type="checkbox"/>	60	4.5 W/K	5.1 W/K	1.3 W/K	1.9 W/K
<input type="checkbox"/>	70	5.4 W/K	6.0 W/K	1.7 W/K	2.3 W/K
<input type="checkbox"/>	80	6.5 W/K	7.5 W/K	1.8 W/K	2.5 W/K
<input type="checkbox"/>	100	6.8 W/K	7.4 W/K	1.9 W/K	2.5 W/K
<input type="checkbox"/>	150	8.5 W/K	9.2 W/K	2.3 W/K	3.0 W/K
<input type="checkbox"/>	170	9.1 W/K	9.8 W/K	2.4 W/K	3.1 W/K
<input type="checkbox"/>	250	11.0 W/K	12.0 W/K	3.0 W/K	4.0 W/K

Designs (Locking-type → data sheet [KD152](#))

- SV4** 4 latches, stainless steel (standard)
- SE2** 2 hinges and 2 latches, stainless steel, with angle for optional padlock

Lid Propstay (only design SE)

- LP** in plated steel } 1 PCS
- LPSS** in stainless steel } 2 PCS

Window (→ data sheet [KD153](#) and [KD154](#))

- FA** acrylic glass window } mounted in
- FS** safety glass window } TE
- STA** hinged door of acrylic glass } TU

Arctic additional Insulation

- PU foam, not stackable
- arctic-GRP** GRP-lining

Explosion Protection

- GO** antistatic to avoid electrostatic charges according to DIN EN IEC 60079-0
- Ex p** preparation for pressurization according to DIN EN IEC 60079-2

Protection Class

- IP66** **IP67** **IP68**
- CSA Enclosure Type 4X („NEMA 4X“)**

Vents and Drains

(→ data sheet [KD184](#))

- LF** Labyrinth Filter IP44
- DV** Ex e Drain IP66

Accessories

- ASTA** aluminum frame window (→ data sheet [KD154](#))
- SR** 19"-hinged frame
 - 6 units high, 9 units high (→ data sheet [KD177](#))
- MS** mounting rail kit in hot dipped galvanized, adjustable (2 vertical, 2 horizontal)
- SD** GRP sun shade (→ data sheet [KD183](#))
- Isopass** insulation adapter (→ data sheet [KD182](#))
- MP** mounting plate
- RA...** instrument pillar
 - RAH horizontal
 - RAV vertical
- RS** pipe clamp
- WA** wall mounted

[KD181](#)

Not all options can be combined!