



MINIBOX 21 Applications

1 Application

The INTERTEC MINIBOX is well suited for space-saving and easy installation of instruments. The following examples represent a selection of proven installations.

2 Special Features

Flexible mounting rail systems allow for horizontal or vertical arrangement for direct mounting or remote installation.



3 Application Examples

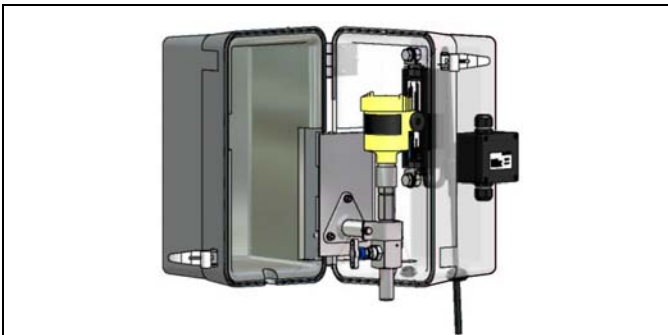
Application No. 1

RMT3051C with 3-way manifold installed on mounting bridge (DS4000)



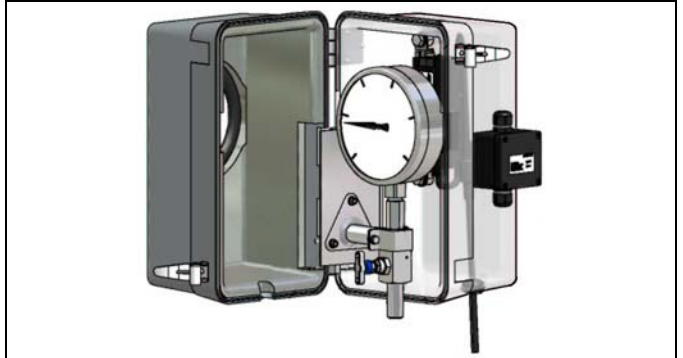
Application No. 2

Pressure transmitter mounted on a mounting plate with double row of hinges (DSL) and freeze-protection heater



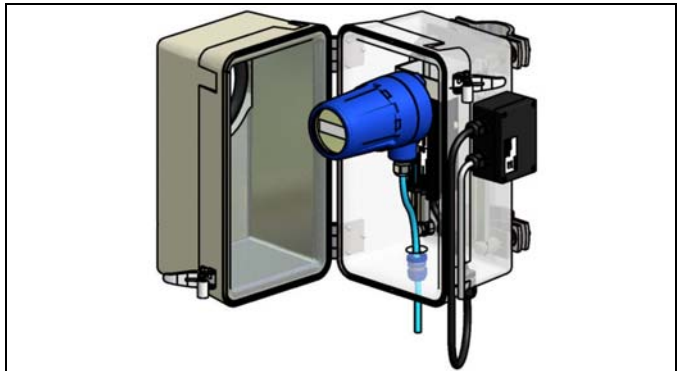
Application No. 3

Pressure gauge mounted on a mounting plate with double row of hinges (DSL) and freeze-protection heater



Application No. 4

Temperature transmitter/ field indicator with support bracket mounted on C-rails and freeze-protection heater



Application No. 5

Direct mounting at the process flange with support bracket and double row of hinges (DSL), (DS 3006)





MINIBOX 21 Applications

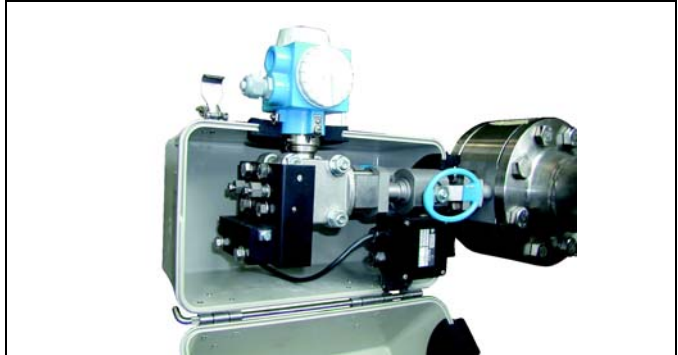
Application No. 6 - Direct Mounting

Heated pressure measuring point with special ball valve and swivel flange (SAFELINK DS3002)
Heater: BLOCKTHERM Heater
MINIBOX with DSL can be swivelled in any direction



Application No. 9 - Direct Mounting

Heated DP-measuring point on orifice with 2 special ball valves



Application No. 7

Pressure measurement with shut-off valve on mounting bridge,
Heater: BLOCKTHERM Heater (DS 4001)



Application No. 10

Mounting with RS21 on 2" pipe stand



Application No. 8

BT-1 for dP-Transmitter and 3-way manifold, with BLOCKTHERM and TAE (DS 4002)

