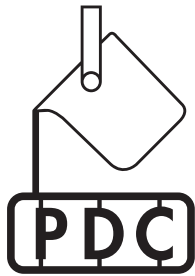
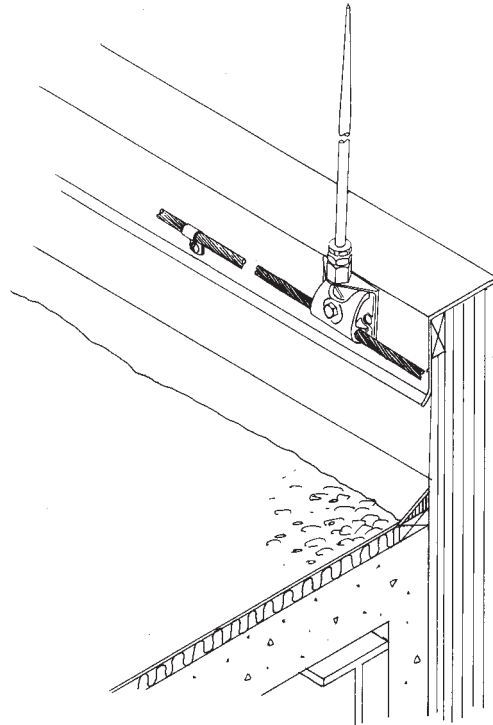




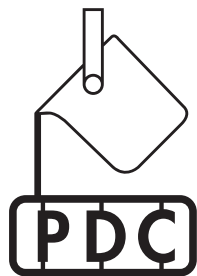
**NO. 690X**—A PREMIUM DIE CAST POINT BASE FOR SIDE MOUNTING AT PARAPETS OR SCREEN WALLS, ETC. THE PREMIUM DIE CAST CLAMP IS FOR USE WITH ADAPTER TYPE AIR TERMINALS AND CABLES THROUGH NO.506. MOUNTING HOLES ARE 1/4" CLEARANCE. ORDER FASTENERS SEPARATELY.

**NO. A690X**—AS ABOVE IN ALUMINUM FOR CABLES THROUGH NO. A37.

NOTE: FOR NO. 507/A507 CABLES ADD "X" TO PART NUMBERS SHOWN.



PREMIUM DIE CAST

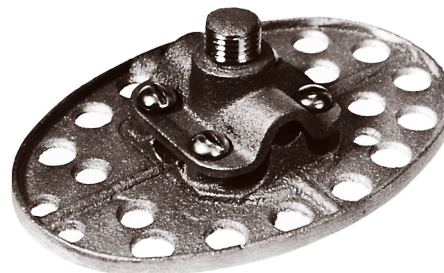
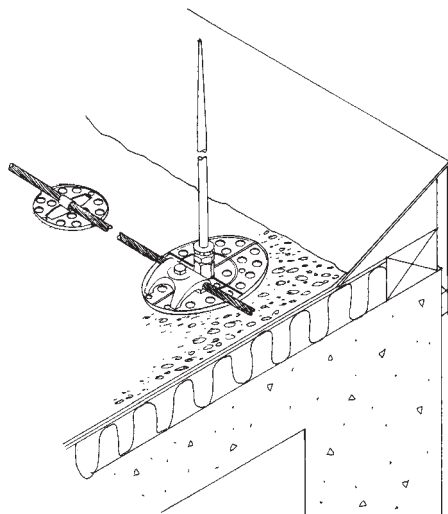


PREMIUM DIE CAST

**NO. 688**—A PREMIUM DIE CAST POINT BASE FOR ADHESIVE MOUNTING ON FLAT ROOFS, ETC. THE BOLT PRESSURE CABLE CLAMP IS FOR CABLES THROUGH NO. 506. THIS BASE HAS AN EXTERNAL STUD FOR USE WITH ADAPTER TYPE AIR TERMINALS. ORDER ADHESIVE SEPARATELY TO SUIT ROOFING SYSTEM IN USE. CONTACT FACTORY FOR PROPER ADHESIVE.

**NO. A688**—AS ABOVE IN ALUMINUM FOR CABLES THROUGH NO. A37.

NOTE: FOR NO. 507/A507 CABLE, ADD "X" TO PART NUMBERS SHOWN.



**NO. 688C**—A HEAVY DUTY CROSS RUN POINT BASE FOR ADHESIVE MOUNTING ON FLAT ROOFS WHERE AIR TERMINALS AND CROSS RUN CABLES ARE JOINED. FITS ALL CABLES THROUGH NO. 506. EXTERNAL STUD ACCEPTS ALL ADAPTER TYPE POINTS.

**NO. A688C**—AS ABOVE IN ALUMINUM FOR CABLES THROUGH NO. A37.

NOTE: VERIFY COMPATIBILITY OF ANY PROPOSED ADHESIVE WITH ROOFING SYSTEM IN USE.

**Thompson Lightning Protection, Inc.**

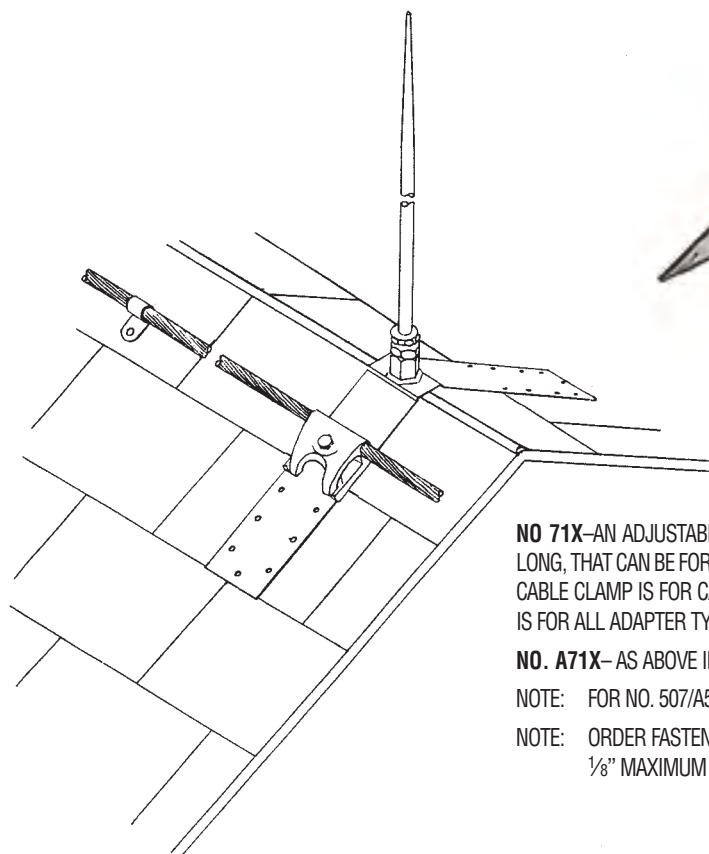
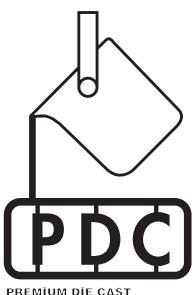
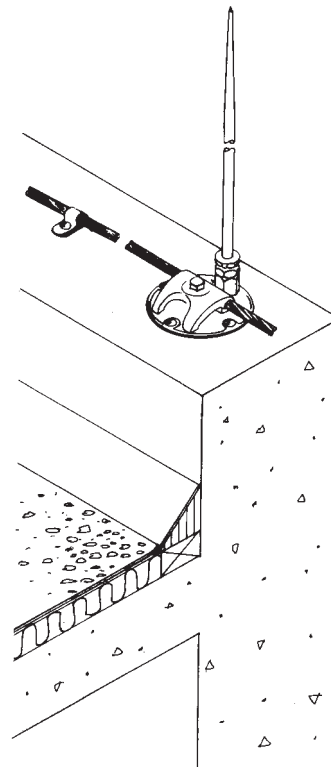
901 Sibley Highway, Saint Paul, Minnesota 55118-1792 • Phone 651-455-7661  
1-800-777-1230 • E-mail: tlp@tlpinc.com • Fax 651-455-2545

# AIR TERMINAL BASES

**NO. 611**—A PREMIUM DIE CAST POINT BASE FOR TOP MOUNTING AT MECHANICAL EQUIPMENT, PARAPETS, OR SCREEN WALLS, ETC. THE BOLT PRESSURE CABLE CLAMP IS FOR CABLES THROUGH NO. 506. BASE HAS AN EXTERNAL STUD FOR USE WITH ADAPTER TYPE AIR TERMINALS. MOUNTING HOLES ARE 1/4" CLEARANCE. ORDER FASTENERS SEPARATELY.

**NO. A611**—AS ABOVE IN ALUMINUM.

NOTE: FOR USE WITH NO. 507/A507 CABLES, ADD "X" TO PART NUMBERS SHOWN.

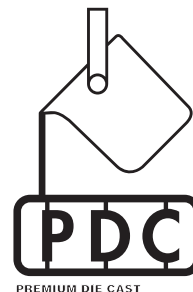


**NO 71X**—AN ADJUSTABLE RIDGE SADDLE OF PURE COPPER, 2" WIDE X 15" LONG, THAT CAN BE FORMED FOR ANY ROOF SLOPE. THE PREMIUM DIE CAST CABLE CLAMP IS FOR CABLES THROUGH NO. 506. THE 5/8" EXTERNAL STUD IS FOR ALL ADAPTER TYPE POINTS.

**NO. A71X**—AS ABOVE IN ALUMINUM.

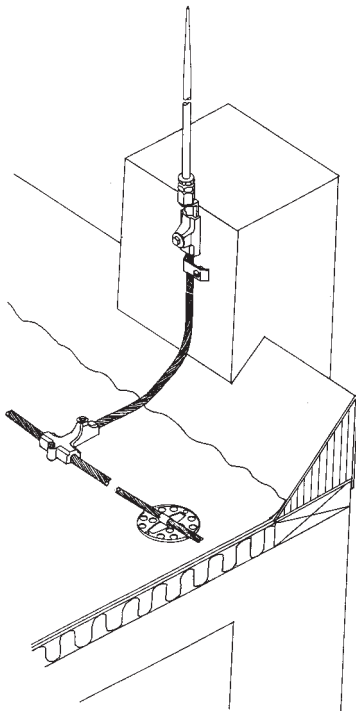
NOTE: FOR NO. 507/A507 CABLE, ADD "X" TO PART NUMBERS SHOWN.

NOTE: ORDER FASTENERS SEPARATELY. USE 6d NAILS OR SCREWS UP TO 1/8" MAXIMUM DIAMETER.



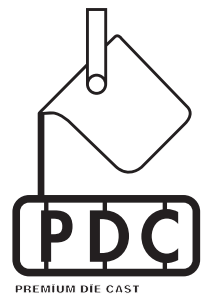
**Thompson Lightning Protection, Inc.**

901 Sibley Highway, Saint Paul, Minnesota 55118-1792 • Phone 651-455-7661  
1-800-777-1230 • E-mail: tlp@tlpinc.com • Fax 651-455-2545



**NO. 690**—A VERTICAL POINT BASE FOR CONNECTION BETWEEN ADAPTER TYPE POINTS AND CABLE THROUGH NO. 506. CONNECTOR HAS MOUNTING HOLE FOR EITHER 1/4" BOLTS OR SCREWS WHICH SHOULD BE ORDERED SEPARATELY. THE CABLE CLAMP IS OF PREMIUM DIE CAST CONSTRUCTION.

**NO. A690**—SAME AS ABOVE IN ALUMINUM FOR CABLES THROUGH NO. A37.

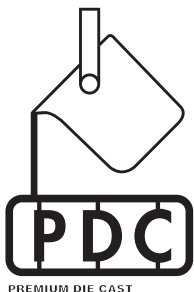
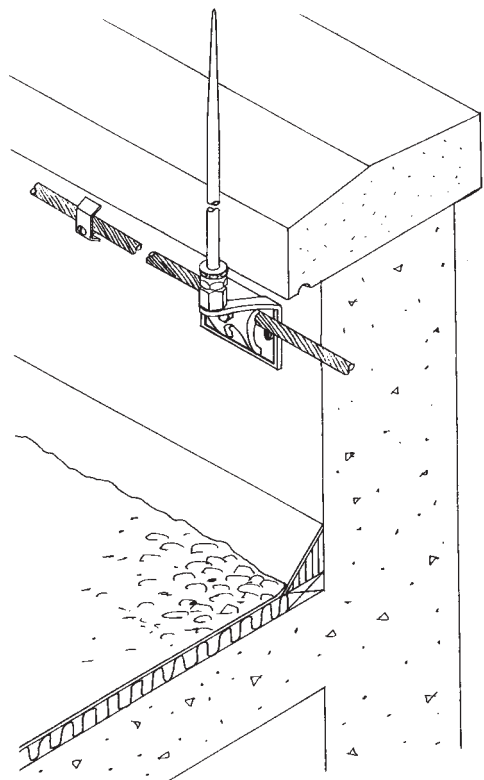


**NO. 678LA**—A HEAVY DUTY RIGHT ANGLE PARAPET BASE WITH AN EXTERNAL STUD FOR ALL ADAPTER TYPE POINTS. THIS BASE IS DESIGNED FOR MOUNTING NEAR THE TOP OF THE WALL FOR USE WITH 12"-24" POINTS WHICH WILL REQUIRE NO FURTHER SUPPORT. THE POINT IS HELD OUT FROM THE WALL TO CLEAR A COPING OVERHANG OF UP TO 1 1/2". PREMIUM DIE CAST BOLT PRESSURE CABLE CLAMP ACCEPTS CABLES THROUGH NO. 506.

**NO. A678LA**—SAME AS ABOVE IN ALUMINUM FOR CABLES THROUGH NO. A37.

NOTE: FOR NO. 507/A507 CABLES, ADD "X" TO PART NUMBER SHOWN.

NOTE: ORDER FASTENERS SEPARATELY. MOUNTING HOLES ARE 1/4" CLEARANCE.



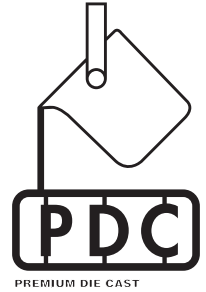
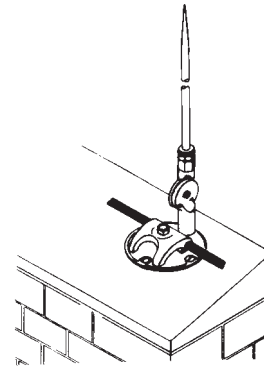
# AIR TERMINAL BASES



**NO. 30**—THIS PREMIUM DIE CAST BRONZE BASE INCLUDES A SWIVEL ADAPTER SO THAT POINTS MAY BE SET PERPENDICULAR ON A SLOPING ROOF. THE PREMIUM DIE CAST BOLT PRESSURE CONNECTION ACCEPTS CABLES THROUGH NO. 506. MOUNTING HOLES ARE 1/4" CLEARANCE. ORDER FASTENERS SEPARATELY.

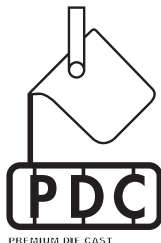
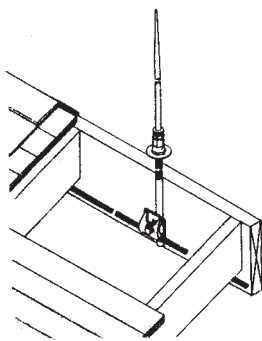
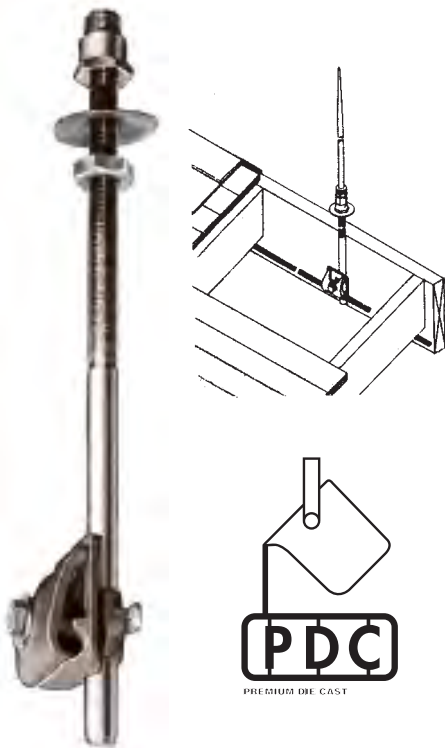
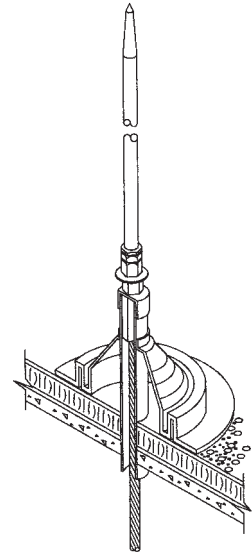
**NO. A30**—AS ABOVE IN ALUMINUM FOR CABLES THROUGH NO. A37.

NOTE: FOR NO. 507/A507 CABLES, ADD "X" TO PART NUMBER SHOWN.



**NO. 155AT**—A THROUGH ROOF BASE WHICH ALLOWS FOR THE INSTALLATION OF A COMPLETE CONCEALED AIR TERMINAL BY ONE TECHNICIAN FROM ABOVE THE ROOF. THIS BASE REQUIRES AN ADEQUATELY SUPPORTED 1" PVC CONDUIT SLEEVE THROUGH THE ROOF. ROOF SEAL IS ACHIEVED VIA AN EPDM SEAL AND SOLVENT WELDED PVC PIPE CAP. IDEAL FOR USE WHERE AIR TERMINALS ARE CONNECTED DIRECTLY TO BUILDING STEEL. FOR CABLES THROUGH NO. 506.

**NO. A155AT**— AS ABOVE IN ALUMINUM FOR CABLES THROUGH NO. A37.



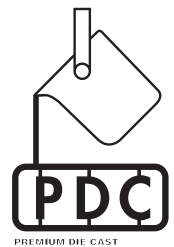
**NO. 685**—A THROUGH ROOF BASE FOR CONCEALED MOUNTING AT ROOF RIDGE LOCATIONS. ASSEMBLY INCLUDES AN ALL THREAD 1/2" X 12" LONG RISER BAR, PREMIUM DIE CAST BRONZE CABLE CLAMP FOR CONDUCTORS THROUGH NO. 506, LEAD WASHER FOR WEATHER SEAL ABOVE THE ROOF, HEX NUT, AND FLAT WASHER TO SECURE RISER BELOW THE ROOF, AND NO. 28M ADAPTER FOR ALL ADAPTER TYPE AIR TERMINALS.

**NO. A685**—AS ABOVE WITH 1/2" ALUMINUM RISER BAR AND CLAMP FOR CABLES THROUGH NO. A37.

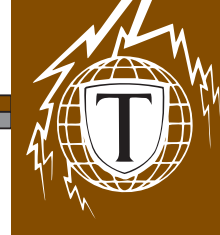
NOTE: FOR NO. 507/A507 CABLES, ADD "X" TO PART NUMBER SHOWN.

**NO. 685V**—SIMILAR TO NO. 685 BUT WITH A VERTICAL CABLE CONNECTOR AT THE LOWER END OF THE RISER. THIS BASE IS USED WHERE ONLY A SINGLE CABLE LEAD FROM THE AIR TERMINAL IS REQUIRED.

**NO. A685V**—AS ABOVE IN ALUMINUM.







**NO. 240P-3**—A BIMETAL PLATED, CLAMP TYPE AIR TERMINAL BASE FOR MOUNTING ON PIPES, ROUND HANDRAILS, ETC. UP TO 1¼" O.D. HAS INTERNAL THREAD FOR 3⁄8" LESS ADAPTER TYPE POINTS. (CLASS I ONLY.)

**NO. 240P-4**—AS ABOVE FOR ½" LESS ADAPTER TYPE POINTS.

**NO. A240P-4**—AS ABOVE IN ALUMINUM. (CLASS I ONLY.)

**NO. 240P-5**—AS ABOVE FOR 5⁄8" LESS ADAPTER POINTS.

**NO. A240P-5**—AS ABOVE IN ALUMINUM.

**NO. 240XP-3**—A HEAVIER VERSION PIPE/RAIL POINT BASE FOR 3⁄8" LESS ADAPTER TYPE POINTS TO PIPES UP TO 2¼" O.D. (CLASS I ONLY.)

**NO. 240XP-4**—AS ABOVE FOR ½" LESS ADAPTER TYPE POINTS.

**NO. A240XP-4**—AS ABOVE IN ALUMINUM. (CLASS I ONLY.)

**NO. 240XP-5**—AS ABOVE FOR 5⁄8" LESS ADAPTER TYPE POINTS.

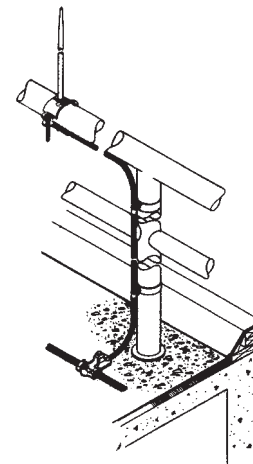
**NO. A240XP-5**—AS ABOVE IN ALUMINUM.

**NO. 681**—AN ADJUSTABLE PIPE RAILING BASE FOR ADAPTER TYPE POINTS. BASE FITS ALL PIPE SIZES FROM 1¼" TO 2" O.D. HAS A 5⁄8" EXTERNAL STUD FOR ALL ADAPTER TYPE POINTS. NO CABLE CONNECTION. (USED WHERE RAILING IS OF ADEQUATE SIZE TO SERVE AS CONDUCTOR.)

**NO. A681**—SAME AS ABOVE IN ALUMINUM.

**NO. 681X**—SAME AS NO. 681 BUT WITH CABLE ATTACHMENT FOR CABLES THROUGH NO. 506 (AS PICTURED).

**NO. A681X**—AS ABOVE IN ALUMINUM WITH ATTACHMENT FOR CABLES THROUGH NO. A37.

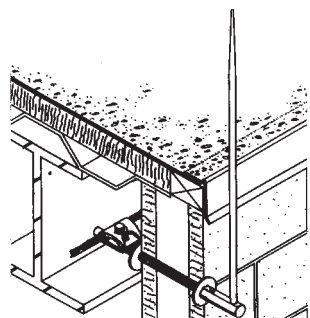


**NO. 78**—A ONE BOLT BRONZE BASE WITH PRESSURE TYPE CABLE CONNECTION FOR INSTALLATION ON FLAT MASONRY. COMPLETE WITH STAINLESS STEEL MACHINE SCREW AND 5⁄16" PAK-TITE ANCHOR. STUD ENGAGES ALL ADAPTER TYPE POINTS. ACCEPTS CABLES THROUGH NO. 506.

**NO. A78**—AS ABOVE IN ALUMINUM FOR CABLES THROUGH NO. A37.

**NO. 79**—A FOUR LEG ADJUSTABLE BASE FOR MOUNTING AT CONE-SHAPE OR ROUNDED VENTS OR MECHANICAL EQUIPMENT, ETC. CAST BRONZE CABLE CLAMP IS FOR ALL ADAPTER TYPE AIR TERMINALS AND FITS CABLES THROUGH NO. 506.

**NO. A79**—AS ABOVE IN ALUMINUM FOR CABLES THROUGH NO. A37.



**NO. 27DG**—A RIGHT ANGLE BASE OF MACHINED BRASS THAT PROVIDES A TRANSITION FROM A HORIZONTAL ½" RISER TO LESS ADAPTER TYPE AIR TERMINALS. (NO. 55LA, ETC.) INCLUDES A SET SCREW TO LOCK THE POINT IN A VERTICAL POSITION. AVAILABLE IN ½" DIAMETER ONLY.



**NO. A27DG**—SIMILAR TO NO. 27DG IN ALUMINUM. (CLASS I ONLY.)



**NO. 532**—A HEAVY DUTY 3¼" WIDE, COPPER RAISED RIDGE SADDLE. BENDS TO FIT ANY ROOF SLOPE AND HOLDS POINT AND CABLE SLIGHTLY ABOVE THE CENTER OF THE RIDGE. PRESSURE TYPE CABLE CLAMP IS FOR CABLES THROUGH NO. 506. STUD ENGAGES ALL ADAPTER TYPE POINTS. (USE NO. 533 ATTACHMENT TO HOLD AND SUPPORT THE CABLE BETWEEN POINT LOCATIONS.)

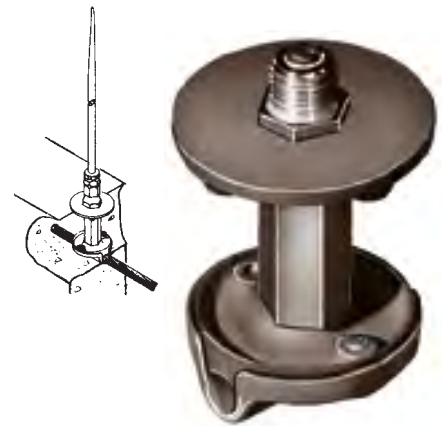
**NO. A532**—AS ABOVE IN ALUMINUM FOR CABLES THROUGH NO. A37.

# AIR TERMINAL BASES



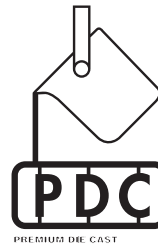
**NO. 737M-A** "FLUSH WITH SURFACE" EMBEDDED GROUND PLATE INTENDED TO SERVE AS AN AIR TERMINAL REPLACEMENT ON HELIPORTS AND PARKING DECKS WHERE TRAFFIC FLOW PROHIBITS THE USE OF STANDARD AIR TERMINALS. CABLE CLAMP ACCEPTS CABLES THROUGH NO. 506.

NOTE: AVAILABLE IN COPPER ONLY.



**NO. 606**-HEAVY DUTY EMBEDDED POINT BASE FOR FULLY CONCEALED INSTALLATION IN POURED CONCRETE. THIS BASE IS USED WHERE THE CABLE IS BURIED IN A POURED CONCRETE ROOF SLAB OR PARAPET. THE 5/8" STUD ENGAGES ALL ADAPTER TYPE POINTS. CLAMP ACCEPTS CABLES THROUGH NO. 506.

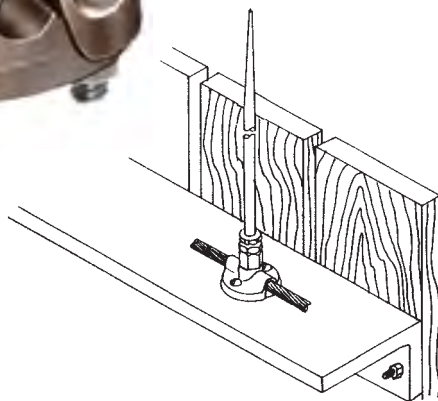
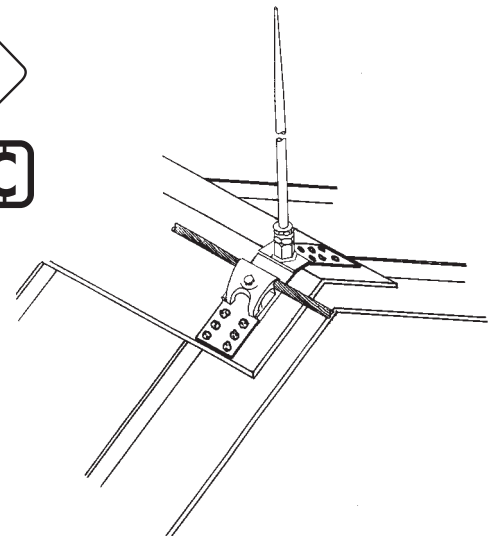
NOTE: AVAILABLE IN COPPER ONLY.



**NO. 71A**-A 2" WIDE COPPER RIDGE SADDLE FOR ADHESIVE MOUNTING ON METAL BUILDINGS, SKYLIGHTS, ETC., AS AN OPTION TO MECHANICAL FASTENERS. THE PREMIUM DIE CAST CLAMP ACCEPTS CABLES THROUGH NO. 506. EXTERNAL STUD IS FOR USE WITH ALL ADAPTER TYPE POINTS.

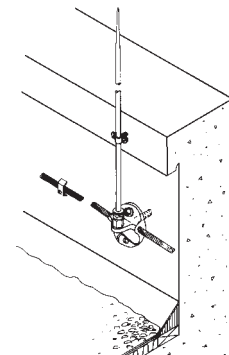
**NO. A71A**-AS ABOVE IN ALUMINUM FOR CABLES THROUGH NO. A37.

NOTE: FOR NO. 507/A507 CABLES, ADD "X" TO PART NUMBER SHOWN.



**NO. 636**-A CAST BRONZE BASE FOR MOUNTING ON ANGLES OR CHANNELS AT SCREEN WALLS, ETC. THE MOUNTING BOLTS SECURE THE PRESSURE TYPE CABLE CLAMP THAT ACCEPTS CONDUCTORS THROUGH NO. 506. THE EXTERNAL STUD ACCEPTS ALL ADAPTER TYPE POINTS.

**NO. A636**-AS ABOVE IN ALUMINUM FOR CABLES THROUGH NO. A37.



**NO. 569**-A HEAVY DUTY BRONZE PARAPET WALL BASE WITH EXTERNAL STUD FOR ALL ADAPTER TYPE POINTS. COMES COMPLETE WITH MACHINE SCREWS AND ONE 3/8" PAK-TITE ANCHOR. HOLDS POINTS AT RIGHT ANGLES TO CABLE. USE NO. 574, 575, OR 576 TO SUPPORT UPPER PART OF POINTS. CLAMP ACCEPTS CONDUCTORS THROUGH NO. 506.

**NO. A569**-AS ABOVE IN ALUMINUM FOR CABLES THROUGH NO. A37.

**NO. 576**-A BRONZE 2 SCREW POINT HOLDER FOR 3/8" POINTS WITH 3/8" PAK-TITE ANCHOR.

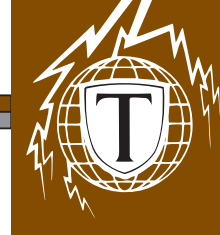
**NO. 575**-AS ABOVE FOR 1/2" POINTS.

**NO. A575**-AS ABOVE IN ALUMINUM FOR 1/2" POINTS.

**NO. 574**-AS ABOVE FOR 5/8" POINTS.

**NO. A574**-AS ABOVE IN ALUMINUM FOR 5/8" POINTS.

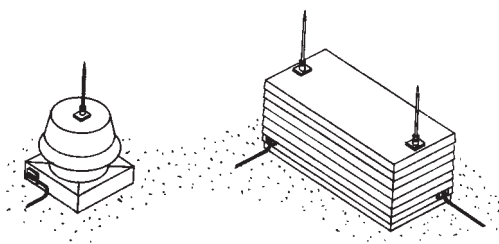
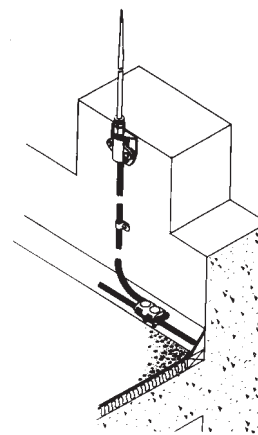
**Thompson Lightning Protection, Inc.**



**NO. 690M**—A HEAVY DUTY VERTICAL POINT BASE FOR NO. 507 CABLE. THE TWO ¼" CLEARANCE MOUNTING HOLES ELIMINATE THE NEED FOR ADDED POINT SUPPORT. THE ⅝" STUD ENGAGES ALL ADAPTER TYPE POINTS.

**NO. A690M**—AS ABOVE IN ALUMINUM.

NOTE: ORDER FASTENERS SEPARATELY.

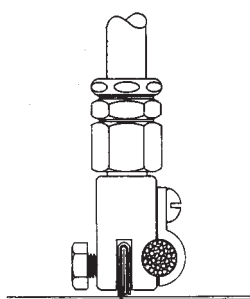
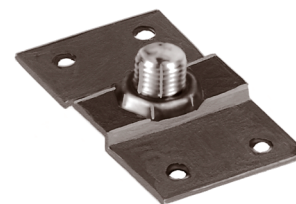


**NO. 76MT**—A FULLY BIMETAL PLATED 2" WIDE COPPER BASE FOR MOUNTING ALL ADAPTER TYPE AIR TERMINALS ON MECHANICAL EQUIPMENT WHERE CONDUCTOR INTERCONNECTS ARE NOT REQUIRED.

**NO. 76M**—AS ABOVE BUT BARE COPPER - NOT PLATED.

**NO. A76M**—AS ABOVE IN ALUMINUM.

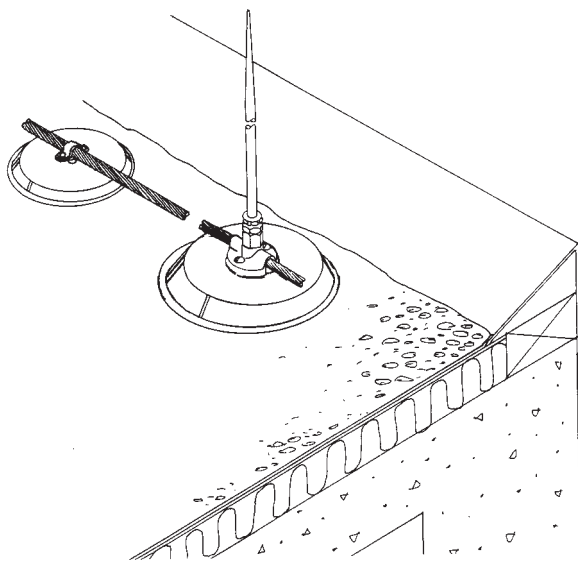
NOTE: REVIEW CODES/STANDARDS IN EFFECT TO VERIFY IF THIS METHOD IS APPLICABLE.



**NO. 691**—A CLAMP TYPE POINT BASE FOR FASTENING TO STANDING SEAM METAL ROOFS WITHOUT THE USE OF MECHANICAL FASTENERS. BOLT PRESSURE CLAMP ACCEPTS CABLES THROUGH NO. 506. EXTERNAL STUD ACCEPTS ALL ADAPTER TYPE AIR TERMINALS.

**NO. A691**—AS ABOVE IN ALUMINUM FOR CABLES THROUGH NO. A37.

NOTE: STANDARD SIZE IS FOR ⅛" THICK SEAMS. CAN BE MILLED TO ¼" ON SPECIAL ORDER.



**NO. 694**—THIS PAN TYPE POINT BASE IS FOR FLAT ROOFS. INCLUDES A COMBINATION POINT TO CABLE BASE CONNECTOR WITH EXTERNAL STUD FOR ALL ADAPTER TYPE POINTS. ACCEPTS CABLES THROUGH NO. 506. THE PAN IS FILLED WITH CEMENT ON THE JOB AND IS INVERTED AFTER THE CEMENT SETS. NO. 589 PAN-TYPE CABLE SUPPORTS ARE USED IN CONJUNCTION WITH THIS BASE. CAN BE USED WITH OR WITHOUT ADHESIVE. OVERALL WEIGHT HOLDS BASE AND CABLE SUPPORTS IN PLACE.

**NO. A694**—SAME AS ABOVE IN ALUMINUM FOR CABLES THROUGH NO. A37.



# AIR TERMINAL BASES/CHIMNEY AIR TERMINALS

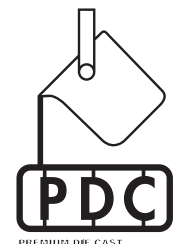
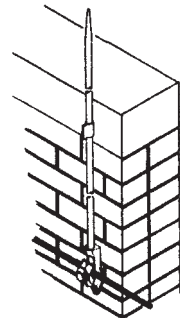
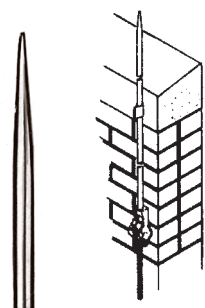
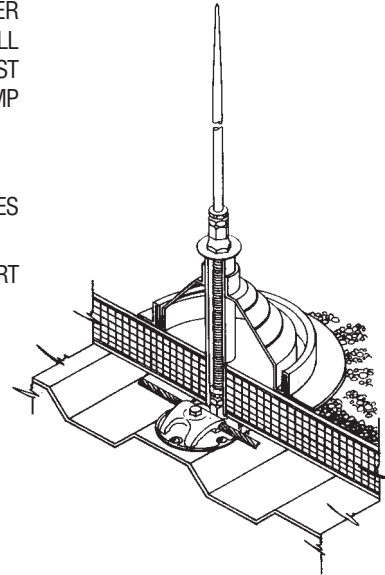
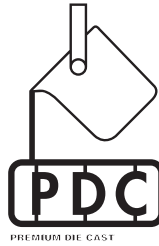


**NO. 709B**—A CONCEALED BASE AND RISER ASSEMBLY FOR METAL OR CONCRETE DECK CONSTRUCTION. RISER BAR IS 1/2" DIAMETER BY 12". TOP ASSEMBLY FITS ALL ADAPTER TYPE AIR TERMINALS. THE PREMIUM DIE CAST MOUNTING BASE HAS A BOLT PRESSURE CABLE CLAMP FOR CABLES THROUGH NO. 506.

NOTE: ORDER FASTENERS SEPARATELY.

**NO. A709B**—AS ABOVE IN ALUMINUM FOR CABLES THROUGH NO. A37.

NOTE: FOR NO. 507/A507 CABLES, ADD "X" TO PART NUMBER SHOWN.



**NO. 85E**—A 3/8" X 3' CHIMNEY POINT ASSEMBLY OF LEAD COATED SOLID COPPER COMPLETE WITH EXCEL CABLE CONNECTOR FOR CABLES THROUGH NO. 506 WHICH ENGAGES A HORIZONTAL OR VERTICAL CABLE. INCLUDES A MASONRY ATTACHMENT TO SUPPORT THE UPPER PART OF THE POINT. (CLASS I ONLY)

**NO. A88E**—5/8" X 4', AS ABOVE IN ALUMINUM.

**NO. A85E**—AS ABOVE IN ALUMINUM WITH 1/2" X 3' ALUMINUM POINT FOR CABLES THROUGH NO. A37. (CLASS I ONLY)

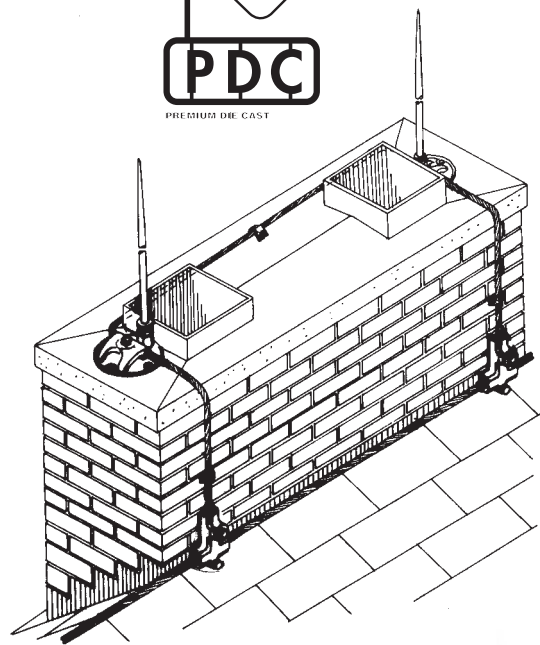
**NO. 88E**—AS ABOVE BUT 1/2" X 4'.

**NO. 85**—AS ABOVE, 3/8" X 3' BUT WITH A VERTICAL SET SCREW CABLE CONNECTOR SHOWN BELOW. (FOR CLASS I ONLY)

**NO. 88**—A COMPLETE HEAVY DUTY CHIMNEY AIR TERMINAL AS SHOWN BUT WITH A 1/2" X 4' COPPER AIR TERMINAL HAVING A 1/16" THICK LEAD SHEATH ON THE AIR TERMINAL. ASSEMBLY INCLUDES SET SCREW VERTICAL POINT BASE. (FOR CLASS I OR II USE.)

**NO. A88**—AS ABOVE BUT WITH 1/2" X 4' ALUMINUM AIR TERMINAL. (FOR CLASS I ONLY)

NOTE: ADD "M" TO ABOVE PART NUMBER FOR METAL MOUNT.



**NO. 673**—A COMPLETE CHIMNEY POINT ASSEMBLY FOR MOUNTING ON THE TOP OF THE CHIMNEY CAP. INCLUDES A LEAD COATED NO. 611 BASE AND LEAD COATED NO. 55 1/2" X 12" SOLID COPPER POINT WITH BASE ADAPTER. PREMIUM DIE CAST CLAMP ACCEPTS CABLES THROUGH NO. 506.

**NO. A673**—CHIMNEY POINT COMPLETE AS ABOVE IN ALUMINUM FOR CABLES THROUGH NO. A37.

