



► Model 350WB

Vibratone® Horns

The Model 350WB (AC current) Vibratone® horn produces sound by the electro-mechanical vibration of a stainless steel diaphragm. The horn mechanism with diaphragm is attached to the grille. Indoor or outdoor use is made possible by the water- and dust-tight backbox.

Model 350WB features a die-cast aluminum rear housing sealed with a gray enamel finish. The rugged outer housing resists vandalism without reducing sound output. Model 350WB is fused and utilizes a terminal block connection.

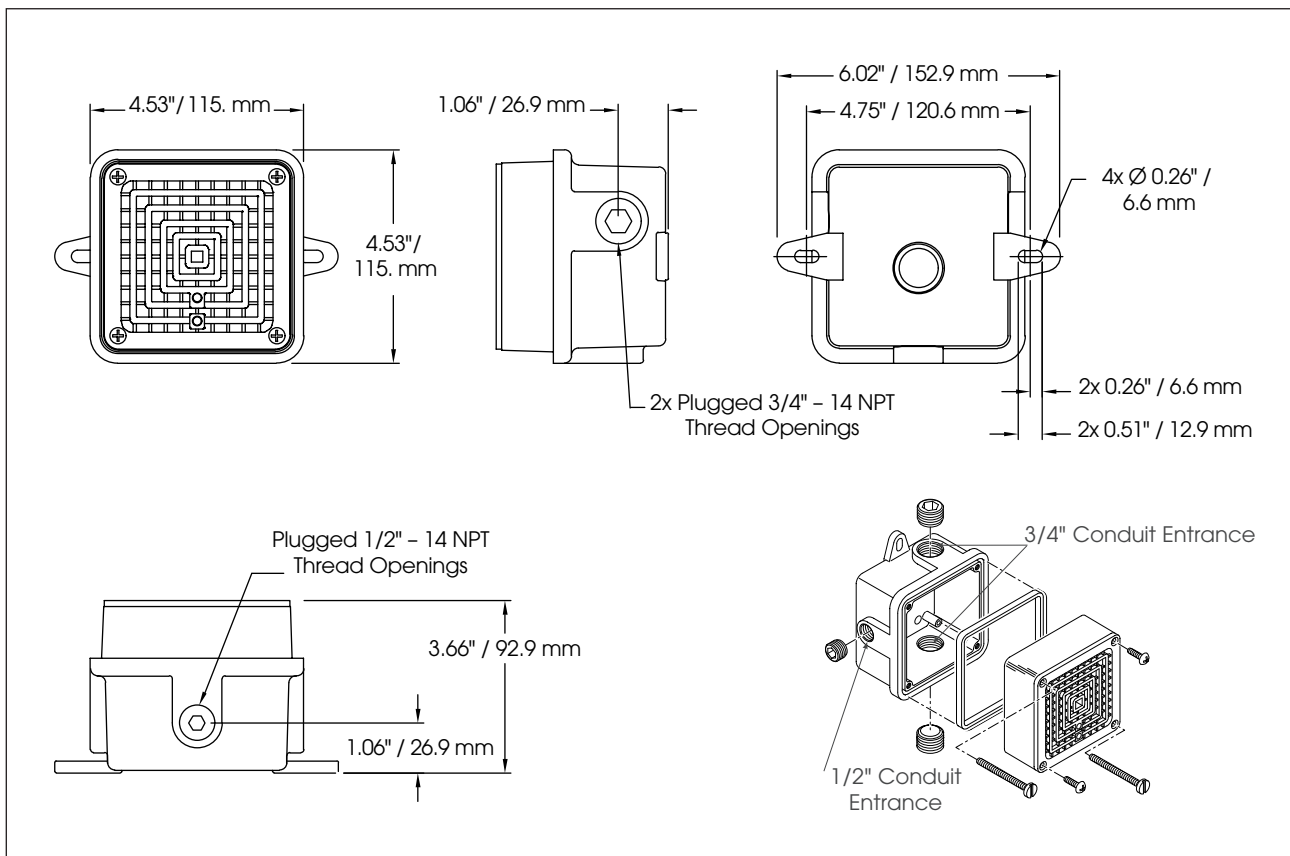
Vibratone horns are excellent for general alarm, start/dismissal, coded paging and process control signaling in areas where their sound output exceeds ambient noise levels. Compact size and various installation options make them ideal for institutional use.

FEATURES

- Available in 120VAC and 240VAC
- Coded or sustained tones
- Wall mount
- Produces 100 dBa @ 10' (110 dBa @ 1m)
- Fuse terminal block provided for field wiring
- Indoor or outdoor use
- Type 4X, IP65 enclosure
- UL and cUL Listed and CSA Certified

MODEL	VOLTAGE	OPERATING CURRENT	DECIBELS	
			10'	1M
350WB-120	120VAC 50/60Hz	0.18 amps	100	110
350WB-240	240VAC 50/60Hz	0.09 amps	100	110

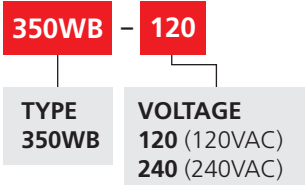
Vibratone® Horns (350WB)



SPECIFICATIONS

Operating Temperature:	-65°F to 150°F	-54°C to 66°C
Net Weight:	2.7 lbs	1.2 kg
Shipping Weight:	2.8 lbs	1.2 kg
Height:	4.53"	115.0 mm
Width:	4.53"	115.0 mm
Depth:	3.66"	92.9 mm

HOW TO ORDER



REPLACEMENT PARTS

Description	Part Number
Volume Control Kit	K8435663B
Coil, 120VAC	KFC1516C
Coil, 240VAC	KFC1506C

OPTIONAL ACCESSORIES

Description	Part Number
Non-metallic double projector directs sounds to both sides when attached to 350/450E models; ideal for use in hallways; 4" H x 11-1/2" W x 4" D; shipping weight 1 lb (0.45kg)	PR2-NM

